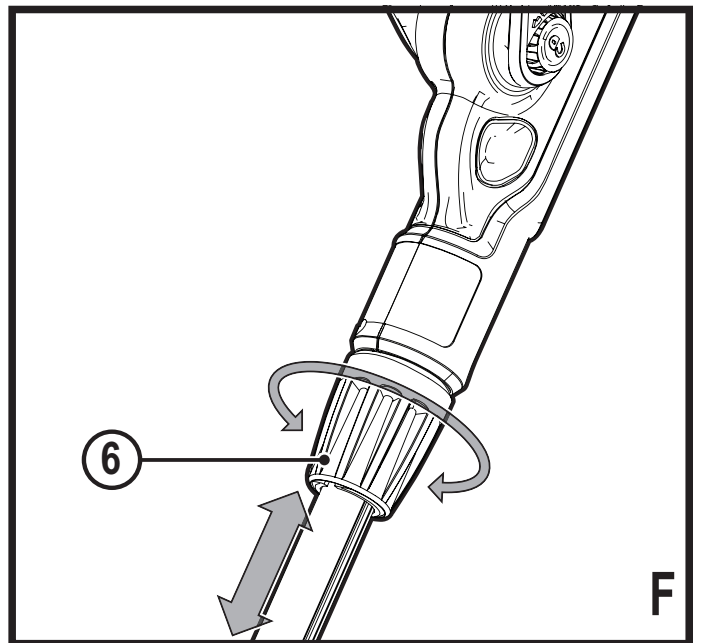
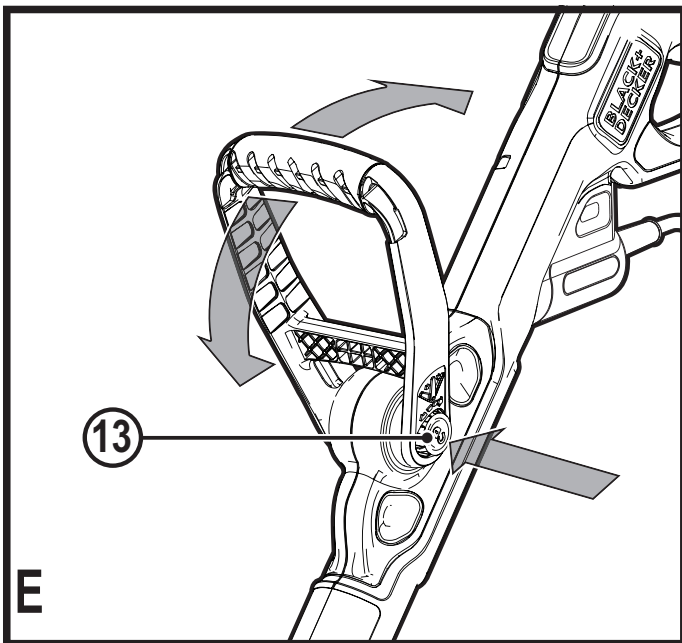
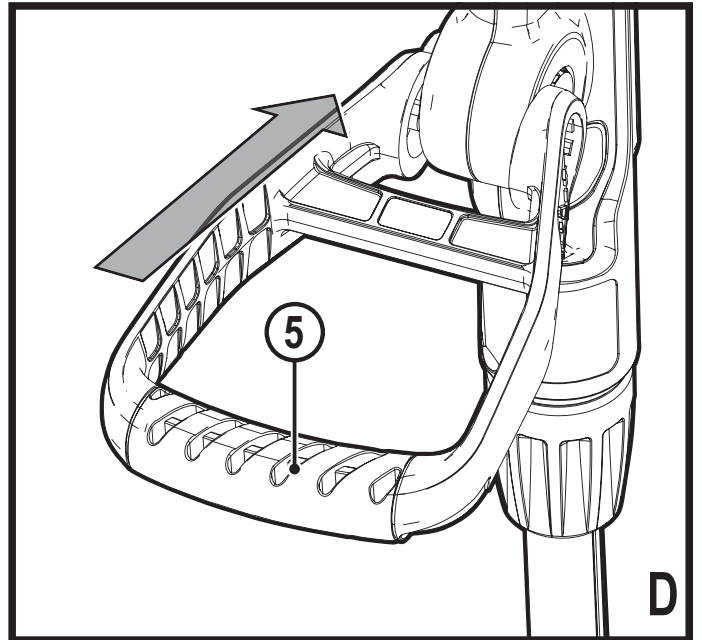
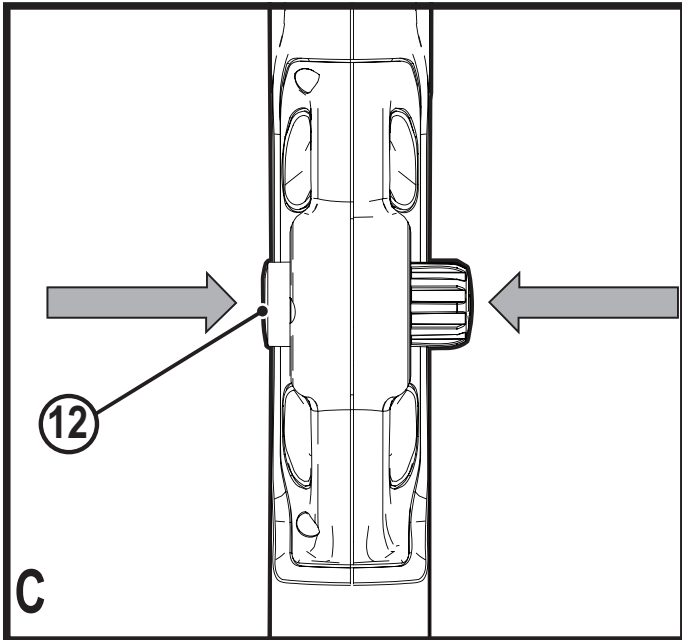
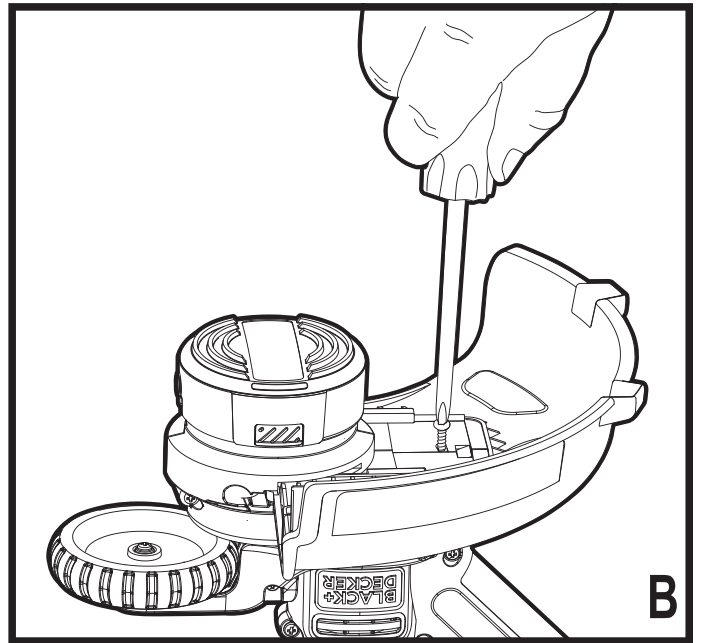
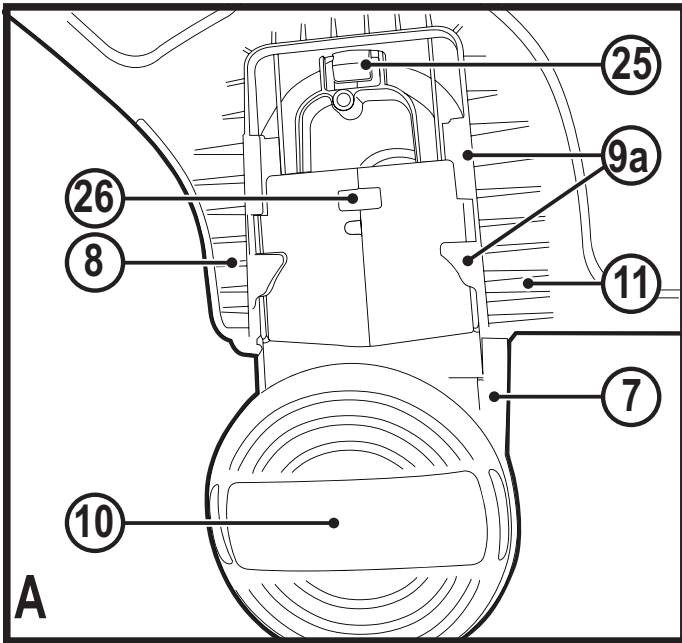


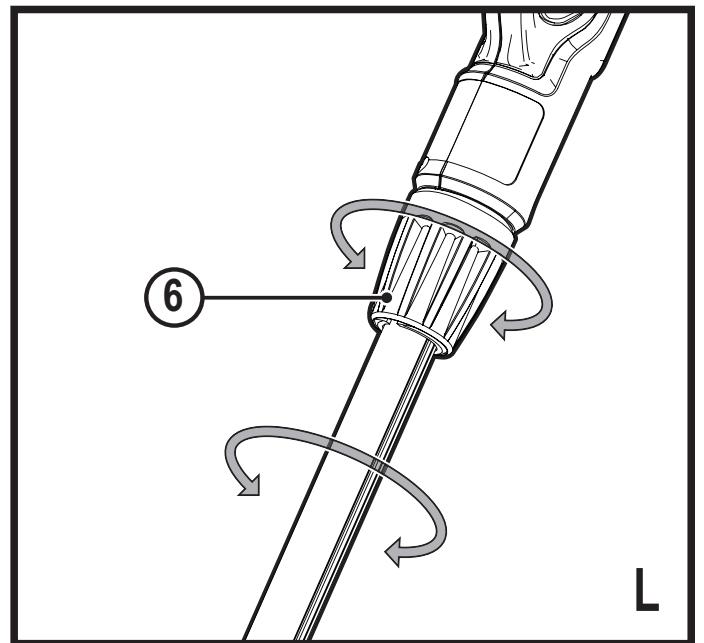
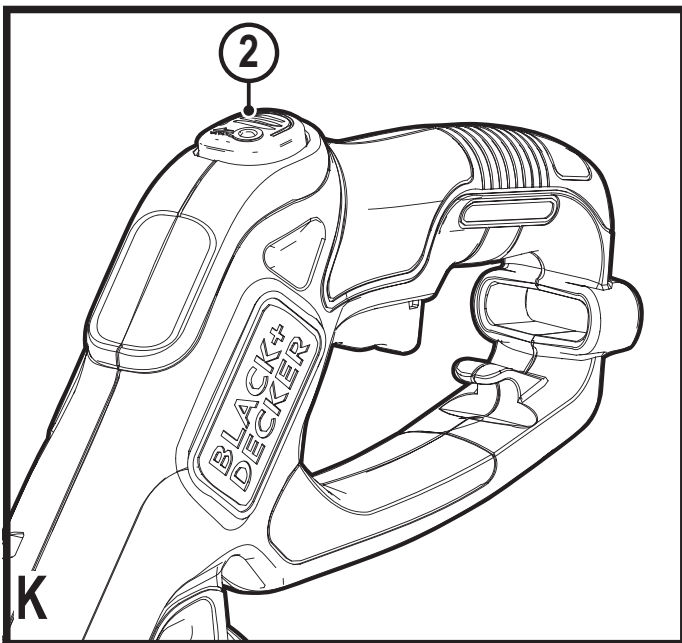
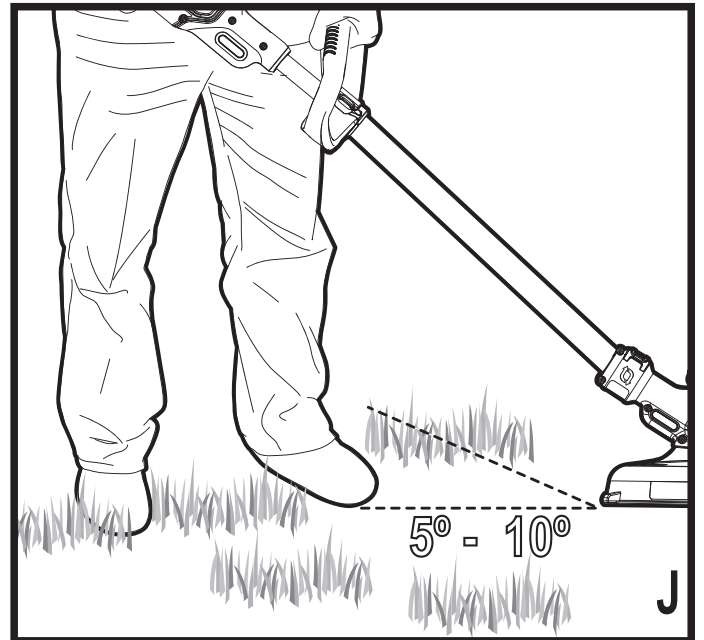
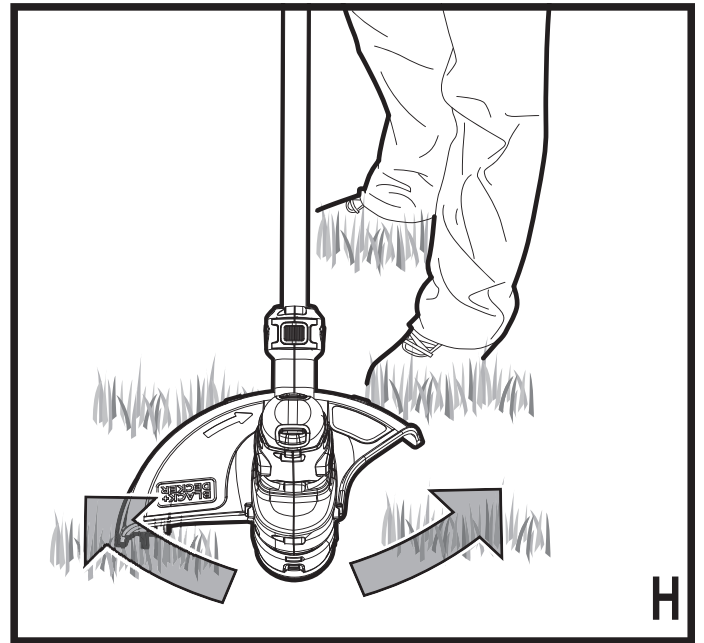
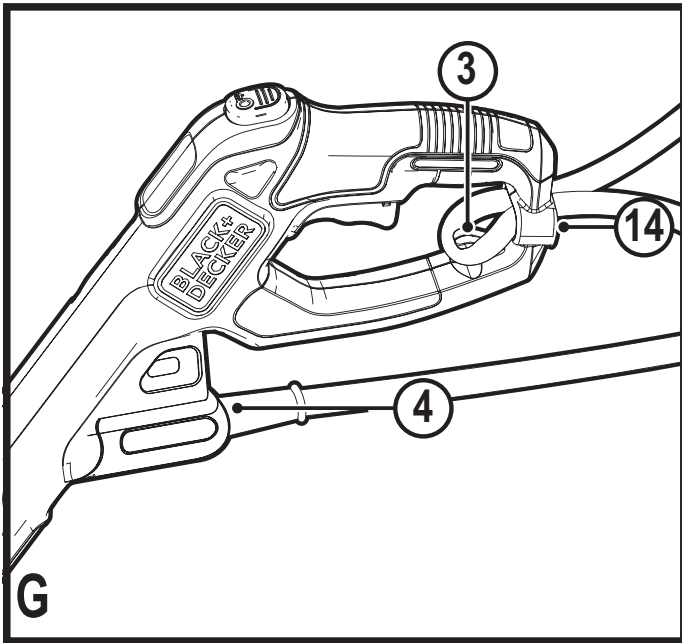
Інструмент не
призначений для
професійного
використання.

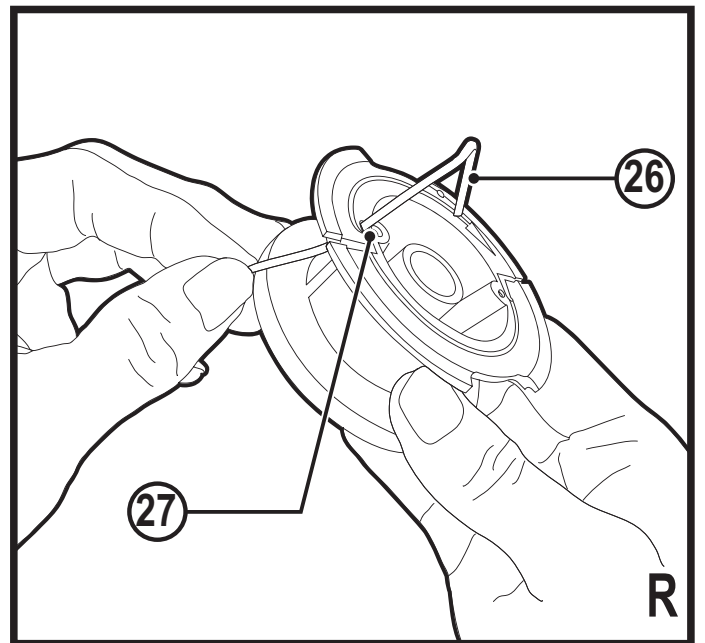
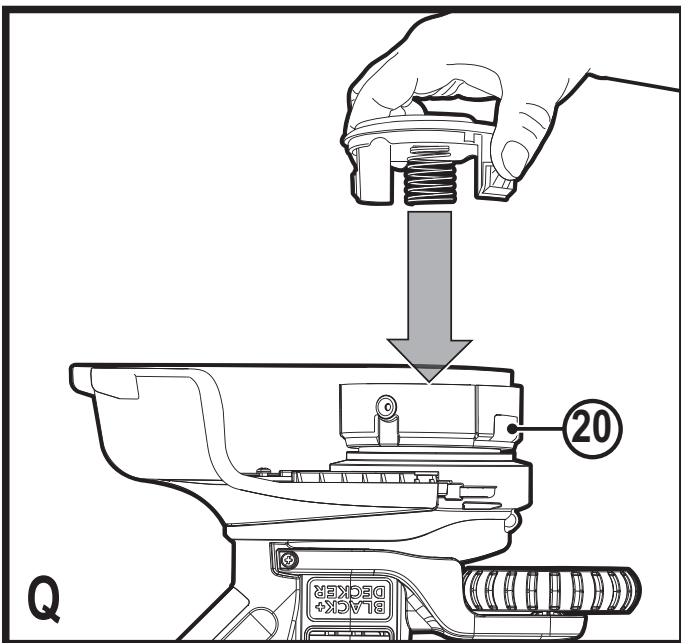
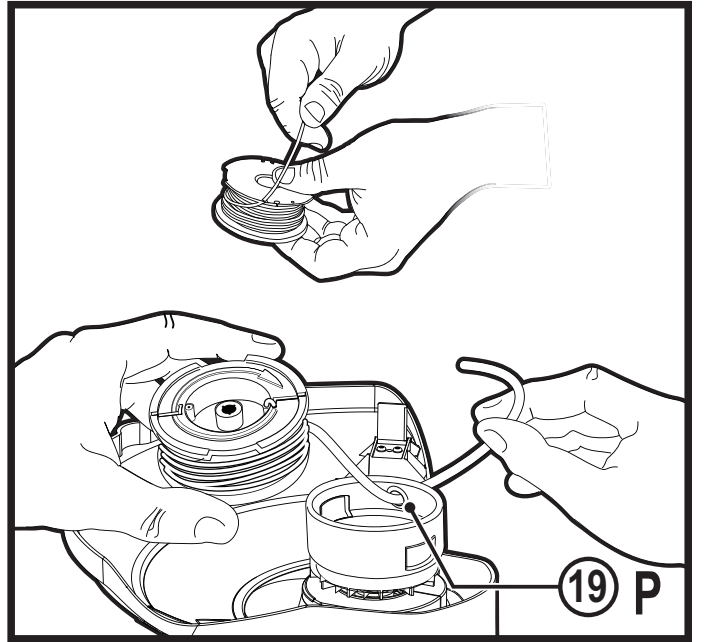
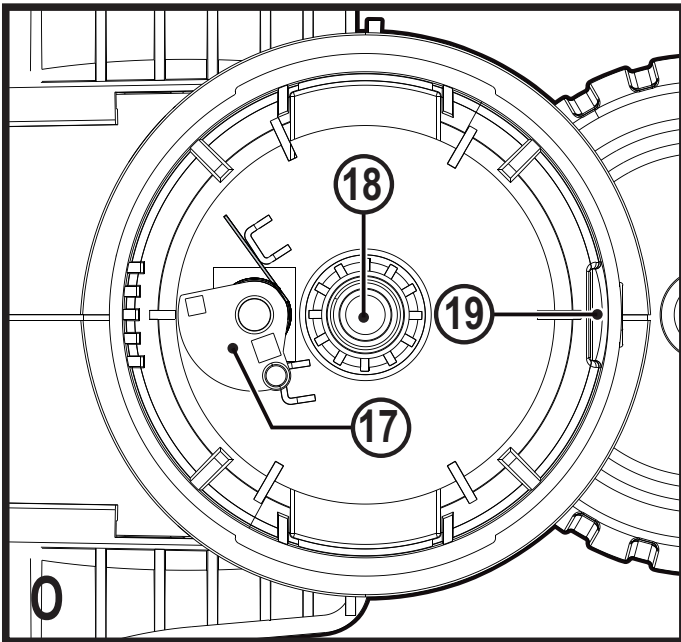
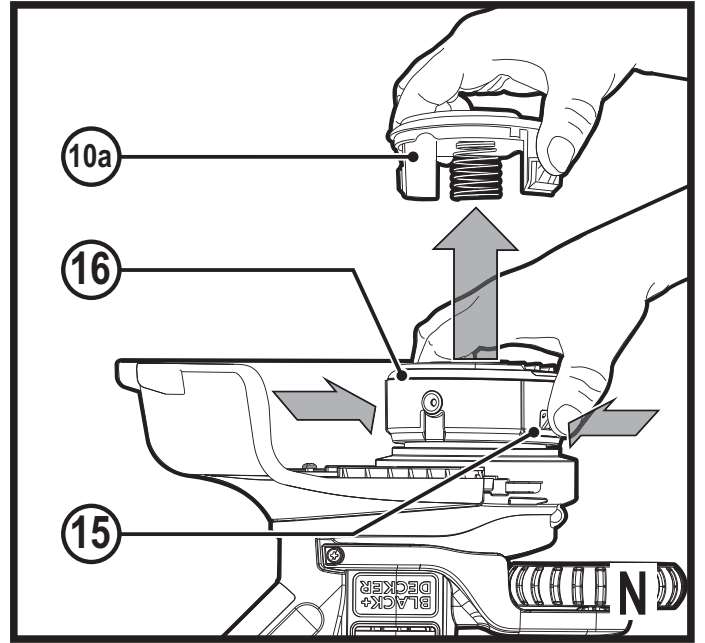
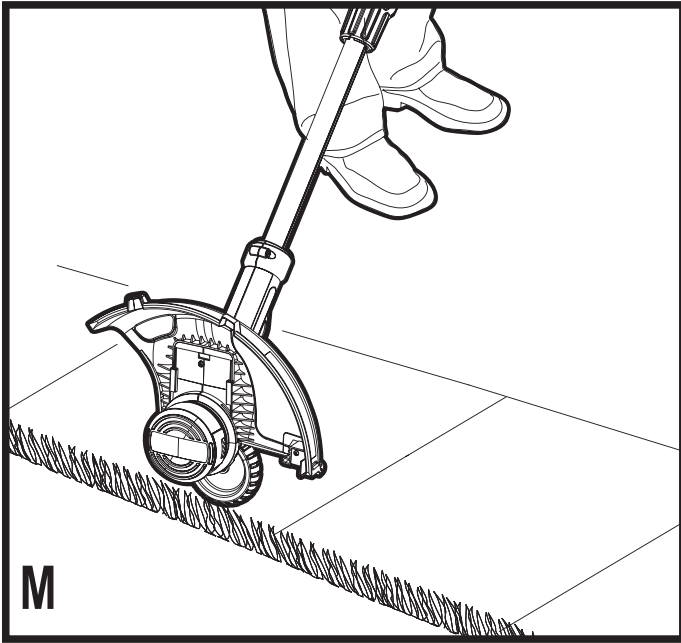
Переклад оригінальних інструкцій
www.blackanddecker.eu

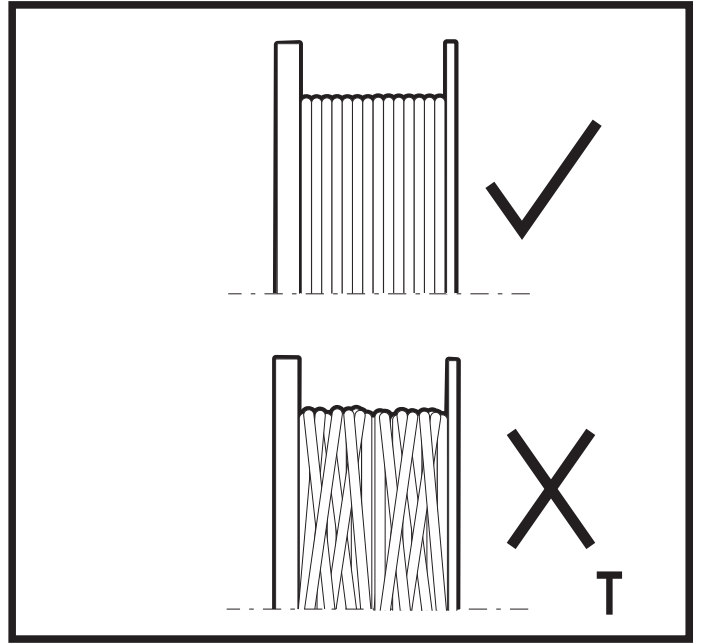
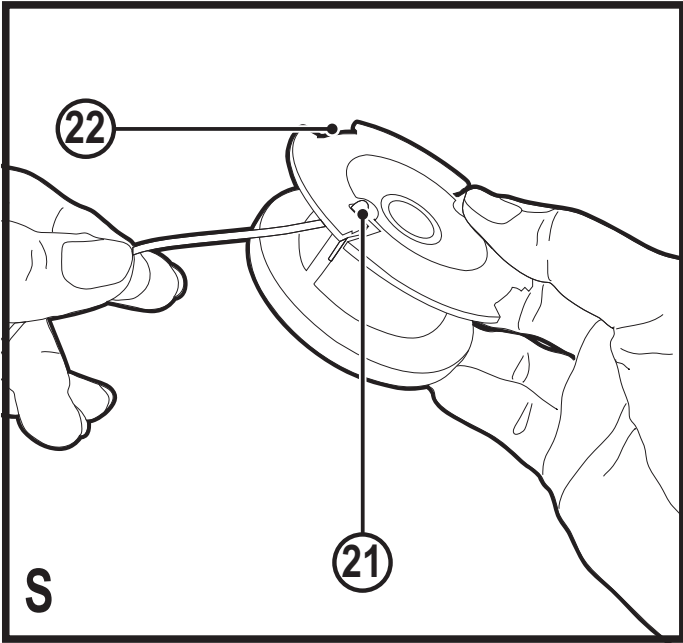
BESTE625
BESTE628
BESTE630

English	(Original instructions)	7
Українська	(переклад оригінальних інструкцій)	17









Intended use

Your BLACK+DECKER BESTE625, BESTE628, BESTE630 EASYFEED trimmers have been designed for trimming and finishing lawn edges and cutting grass in confined spaces. These machines are intended for consumer use only.

Safety instructions

Warning! When using mains-powered machines, basic safety precautions, including the following, should always be followed to reduce the risk of fire, electric shock, personal injury and material damage.

Warning! When using the machine the safety rules must be followed. For your own safety and bystanders please read these instructions before operating the machine. Please keep the instructions safe for later use.

- ◆ Read all of this manual carefully before operating the machine.
- ◆ The intended use is described in this manual.
- ◆ The use of any accessory or attachment or the performance of any operation with this machine other than those recommended in this instruction manual may present a risk of personal injury.
- ◆ Retain this manual for future reference.

Using your machine

Always take care when using the machine.

- ◆ Always use safety glasses or goggles.
- ◆ Never allow children or people unfamiliar with the instructions to use the machine.
- ◆ Never operate the machine while people, especially **children**, or pets are nearby.
- ◆ Close supervision is necessary when the machine is used near children.
- ◆ This machine is not intended for use by young or infirm persons without supervision.
- ◆ This machine is not to be used as a toy.
- ◆ Only use the machine in daylight or good artificial light.
- ◆ If the machine starts to vibrate abnormally or if you hit a foreign object, switch the appliance off and remove the plug from the socket. Check for any damage to the appliance, replace or repair any damaged parts, check for and tighten any loose parts.

- ◆ Avoid using the machine in bad weather conditions especially when there is a risk of lightning.
- ◆ Use in a dry location only. Do not allow the machine to become wet.
- ◆ Do not immerse the machine in water.
- ◆ Do not open the body casing. There are not user-serviceable parts inside.
- ◆ Do not operate the machine in explosive atmospheres, such as in the presence of flammable liquids, gases or dust.
- ◆ To reduce the risk of damage to plugs or cords, never pull the cable to remove the plug from a socket.

Safety of others

- ◆ Never allow **children**, persons with reduced physical, sensory or mental capabilities or lack of experience and knowledge or people unfamiliar with these instructions to use the machine, local regulations may restrict the age of the operator.
- ◆ Children shall not play with the machine.

- ◆ Cleaning and user maintenance shall not be made by children without supervision.

Residual risks

Additional residual risks may arise when using the tool which may not be included in the enclosed safety warnings. These risks can arise from misuse, prolonged use etc. Even with the application of the relevant safety regulations and the implementation of safety devices, certain residual risks can not be avoided. These include:

- ◆ Injuries caused by touching any rotating/moving parts.
- ◆ Injuries caused when changing any parts, blades or accessories.
- ◆ Injuries caused by prolonged use of a tool.
- ◆ When using any tool for prolonged periods ensure you take regular breaks.
- ◆ Impairment of hearing.
- ◆ Health hazards caused by breathing dust developed when using your tool (example:- working with wood, especially oak, beech and MDF).

Vibration

The declared vibration emission values stated in the technical data and the declaration of conformity have been measured in accordance with a standard test method provided by EN50636 and may be used for comparing one tool with another.

The declared vibration emission value may also be used in a preliminary assessment of exposure.

Warning! The vibration emission value during actual use of the power tool can differ from the declared value depending on the ways in which the tool is used. The vibration level may increase above the level stated.

When assessing vibration exposure to determine safety measures required by 2002/44/EC to protect persons regularly using power tools in employment, an estimation of vibration exposure should consider, the actual conditions of use and the way the tool is used, including taking account of all parts of the operating cycle such as the times when the tool is switched off and

when it is running idle in addition to the trigger time.

After use

- ◆ When not in use, the machine should be stored in a dry, well ventilated place out of reach of children.
- ◆ Children should not have access to stored machines.
- ◆ When the machine is stored or transported in a vehicle it should be placed in the boot or restrained to prevent movement following sudden changes in speed or direction.

Inspection and repairs

- ◆ Before use, check the machine for damaged or defective parts.
- ◆ Check for breakage of parts and any other conditions that may affect its operation.
- ◆ Do not use the machine if any part is damaged or defective.
- ◆ Have any damaged or defective parts repaired or replaced by an authorised repair agent.
- ◆ Never attempt to remove or replace any parts other than those specified in this manual.

Additional safety instructions for grass trimmers

Warning! Cutting elements continue to rotate after the motor is switched off.

- ◆ Be familiar with the controls and the proper use of the machine.
- ◆ Before use, check the power supply cord and extension cord for signs of damage, ageing and wear.
- ◆ If a cord becomes damaged during use, disconnect the cord from the mains supply immediately. **DO NOT TOUCH THE CORD BEFORE DISCONNECTING THE SUPPLY.**
- ◆ Do not use the machine if the cords are damaged or worn.
- ◆ Before using the machine and after any impact, check for signs of wear or damage and repair as necessary.
- ◆ Always ensure that the ventilation slots are kept clear of debris.
- ◆ Wear stout shoes or boots to protect your feet.
- ◆ Wear long trousers to protect your legs.
- ◆ Before using the machine, check that your cutting path is free from sticks, stones, wire and any other obstacles.
- ◆ Only use the machine in the upright position, with the cutting line near the ground. Never switch the machine on in any other position.
- ◆ Do not overreach and to keep your balance at all times. Always be sure of your footing on slopes and walk, never run.
- ◆ Do not work on steep slopes. Work across the face of slopes, not up and down.
- ◆ Move slowly when using the machine. Be aware that freshly cut grass is damp and slippery.
- ◆ Never cross gravel paths or roads while the machine is running.
- ◆ Do not touch moving hazardous parts before the machine is disconnected from the mains and the moving hazardous parts have come to a complete stop.

- ◆ Never touch the cutting line while the machine is running.
- ◆ Do not put the machine down until the cutting line has come to a complete standstill.
- ◆ Use only the appropriate type of cutting line. Never use metal cutting line or fishing line.
- ◆ Be careful not to touch the line trimming blade.
- ◆ Take care to keep the mains cable away from the cutting line.
- ◆ Always be aware of the position of the cable.
- ◆ Keep hands and feet away from the cutting line at all times, especially when switching on the motor.
- ◆ Never operate the machine with damaged guards or without guards in place.
- ◆ Take care against injury from any device fitted for trimming the filament line length.
- ◆ After extending new cutter line always return the machine to its normal operating position before switching on.
- ◆ Do not use the lawn trimmer (edge trimmer), if the cords are damaged or worn.
- ◆ Keep extension cords away from cutting elements.

Electrical safety



This machine is double insulated; therefore no earth wire is required. Always check that the power supply corresponds to the voltage on the rating plate.

- ◆ If the supply cord is damaged, it must be replaced by the manufacturer or an authorised BLACK+DECKER Service Centre in order to avoid a hazard.
- ◆ Electric safety can be further improved by using a high sensitivity 30 mA Residual Current Device (RCD).

Using an extension cable

Always use an approved extension cable suitable for the power input of this tool (see technical data).

The extension cable must be suitable for outdoor use and marked accordingly. Up to 30 m of 1.5 mm² HO5VV-F extension cable can be used without loss of product performance. Before use, inspect the extension cable for signs of damage, wear and ageing. Replace the extension cable if damaged or defective. When using a cable reel, always unwind the cable completely.

Labels on machine

The following warning symbols are found on the machine along with the date code:



Warning! Read the manual prior to operation.



Wear safety glasses or goggles when operating this machine.



Wear suitable ear protection when operating this machine.



Always remove the plug from the socket before inspecting a damaged cable. Be careful not to use your strimmer if the cable is damaged.



Beware of flying objects. Keep bystanders away from the cutting area.



Do not expose the machine to rain or high humidity.



Directive 2000/14/EC guaranteed sound power.

Features

This machine includes some or all of the following features.

1. On/off switch
2. EASYFEED button
3. Cord retainer
4. Power cord plug
5. Auxillary handle
6. Collar
7. Motor housing
8. Edge guide wheel (BESTE628 and BESTE630 only)
Edge wire guide (BESTE625 only)
9. Guard
10. Spool

Assembly

Warning! Before assembly, make sure that the tool is switched off and unplugged.

Fitting the guard (fig. A & B)

- ◆ Turn the trimmer upside down so that you are looking down at the spool (10).
- ◆ Remove the screw from the guard with a phillips screwdriver (not supplied).
- ◆ Turn the guard (9) upside down and slide it fully onto the motor housing (7).
- ◆ Make sure the tabs (9a) on the guard engage the ribs (11) on the motor housing as shown in Fig. A. The locking tab (25) should have snapped into the housing slot (26).
- ◆ Continue to slide the guard on until you hear it “snap” into place.
- ◆ Insert the guard screw and tighten securely as shown in Fig. B to complete the guard assembly.
- ◆ Once the guard is installed, remove the covering from the line cut-off blade, located on the edge of the guard.

Warning! Never use the tool unless the guard is properly fitted and firmly in place.

Attaching the auxiliary handle (Fig. C, D, E)

- ◆ To attach the handle (5), press in on the buttons (12) on both sides of the upper housing as shown in Fig. C.
- ◆ Position the handle as shown in Fig. D, matching up the grooved side of the handle with the grooved button.
- ◆ Partially push the handle on so that it will hold the buttons in when you release them with your hand.
- ◆ Push the handle completely onto the housing and position it slightly until it “snaps” into place (Fig. E).
- ◆ To adjust the handle up or down, press in on the button (13) and raise or lower the handle.
- ◆ The handle should be adjusted so that your front arm is straight when the trimmer is in the working position.

Height adjustment (Fig. F)

- ◆ The overall height of the trimmer can be adjusted by loosening the collar (6) and rotating it in the direction of the arrow shown in Fig. F.
- ◆ Move the upper housing straight up or down. When the desired height is achieved, tighten the collar by rotating it opposite of the direction shown in Fig. F.

Attaching extension cord (Fig. G)

An extension cord retainer (3) is built into the switch handle that prevents the cord from coming unplugged.

- ◆ To use this feature, simply double the extension cord about 203mm from the end, and insert it into the slot (14) in the end of the handle area as shown in Fig. G.
- ◆ Hook the loop formed by doubling the cord over the tab (3). Gently tug on the cord to insure that it is firmly retained in the trimmer's handle.
- ◆ Plug the receptacle end of the extension cord into the power cord plug (4) in the trimmer.

Releasing the cutting line

In transit, the cutting line is taped to the spool housing.

Warning! Before assembly, disconnect from the power supply.

- ◆ Remove the tape holding the cutting line to the spool housing.
- ◆ See "Replacing the Spool" for instructions for removing the spool.

Correct hand position

Correct hand position requires one hand on the main handle and one hand on the auxiliary handle (5).

Switching on and off

To switch the trimmer on, squeeze the trigger switch (1).

To switch the trimmer off, release the trigger switch.

Operating the trimmer

- ◆ With the unit on, angle slowly swing the trimmer side to side as shown in Fig. H.
- ◆ Maintain a cutting angle of 5° to 10° as shown in Fig. J. Do not exceed 10° (Fig. J). Cut with the tip of the line. To keep distance from hard surfaces use edge wheel (8).
- ◆ Maintain a minimum distance of 600mm between the guard and your feet as shown in Fig. I. To achieve this distance adjust the overall height of the trimmer as shown in Fig. F.

EASYFEED™ Button (Fig. K)

The EASYFEED™ feature allows you to advance the length of cutting line available while trimming.

- ◆ To extend the cutting line, fully depress the EASYFEED™ button (2) while trimming and then release (figure K).

Note! The trimmer will stop cutting when the EASYFEED™ button is pressed and will resume cutting when released.

- ◆ For maximum line length, press the button multiple times until you hear the cutting line hitting the guard.

Note! Do not continue to press the EASYFEED™ button once the maximum length is reached. This will result in overfeeding and will consume string quickly.

Convert to edging mode (Fig. L)

The trimmer can be used in trimming mode or edging mode to trim overhanging grass along lawn edges and flower beds.

Warning! Disconnect the plug from the power source before making any adjustments.

Warning! When being used as an Edger, stones, pieces of metal and other objects can be thrown out at high speed by the line. The trimmer and guard are designed to reduce the danger. However, **MAKE SURE** that other persons and pets are at least 30m away.

- ◆ To operate as a maintenance edger, turn the collar (6) as shown in Fig. L.
- ◆ Hold the metal shaft and rotate the lower housing 180° as shown in Fig. L.
- ◆ Turn the collar back until tight.

Note: The metal shaft and housing will only rotate in one direction.

- ◆ To return to the trimming position, loosen the lock collar and rotate the lower housing back 180° and retighten the collar.

Edging (Fig. M)

Optimum cutting results are achieved on edges deeper than 50 mm. Do not use this trimmer to create trenches.

- ◆ Using the edging wheel (8), or the wire guard, guide the trimmer as shown in Fig. M.
- ◆ Position the edging wheel on the edge of the pavement or abrasive surface so the cutting line is over the grass or dirt area to be edged.

Note: You will experience faster than normal cutting line wear if the edging wheel is positioned too far from the edge with the cutting line positioned over the pavement or abrasive surface.

- ◆ To make a closer cut, slightly tilt the trimmer.
- ◆ Return to the trimming position by loosening the lock collar and rotating the lower housing back 180°. The tool will lock in the trimmer position.

Cutting Line / Line Feeding

Your trimmer uses 1.65 mm diameter, ROUND nylon line. During use, the tips of the nylon lines will become frayed and worn and the special self feeding spool will automatically

feed and trim a fresh length of line. Cutting line will wear faster and require more feeding if the cutting or edging is done along pavements or other abrasive surfaces or heavier weeds are being cut. The advanced automatic line feeding mechanism senses when more cutting line is needed and feeds and trims the correct length of line whenever it's required. Do not bump trimmer on ground in attempt to feed line or for any other purposes.

Helpful Cutting Tips

- ◆ Use the tip of the string to do the cutting; do not force string head into uncut grass.
- ◆ Wire and fences cause extra string wear, even breakage. Stone and brick walls, curbs, and wood may wear string rapidly.
- ◆ Do not allow spool cap to drag on ground or other surfaces.
- ◆ In long growth, cut from the top down and do not exceed 300 mm high.
- ◆ Keep trimmer tilted toward the area being cut; this is the best cutting area.
- ◆ The trimmer cuts when passing the unit from the left to right. This will avoid throwing debris at the operator.
- ◆ Avoid trees and shrubs. Tree bark, wood moldings, siding, and fence posts can easily be damaged by the string.

Replacing the spool (Fig. N, O, P, Q)

Warning! To reduce the risk of serious personal injury, turn unit off and disconnect it from power source before making any adjustments or removing/installing attachments or accessories. An accidental start-up can cause injury

- ◆ Depress the tabs (15) and remove the spool cap (10a) from the spool housing (16) in the trimmer head (Fig. N).
- ◆ For best results, replace spool with BLACK+DECKER model no. A6481.
- ◆ Grasp empty spool with one hand and spool housing with other hand and pull spool out.
- ◆ If lever (17) (Fig. O) in base of housing becomes dislodged, replace in correct position before inserting new spool into housing.
- ◆ Remove any dirt and grass from the spool and housing.
- ◆ Unfasten the end of the cutting line and guide the line into the eyelet (19) Fig. P.
- ◆ Take the new spool and push it onto the boss (18) in the housing (Fig. O). Rotate the spool slightly until it is seated. The line should protrude approximately 136mm from the housing.
- ◆ Align the tabs on the spool cap with the slots (20) in the housing (Fig. Q).
- ◆ Push the cap onto the housing until it snaps securely into place.

Warning! To avoid trimmer damage, if the cutting line protrudes beyond the trimming blade, cut it off so that it just reaches the blade.

Rewinding spool from bulk line (Fig. S, T)

Replacement spools of cutting line are available from your BLACK+DECKER dealer. Packs containing 3 spools of cutting line are also available.

- ◆ Unplug the tool.
- ◆ Remove the empty spool from the trimmer as described in "REPLACING THE SPOOL".
- ◆ Remove any remaining cutting line from the spool.
- ◆ Make a fold at the end of the cutting line at about 19mm (21). Feed the cutting line into one of the line anchoring slots (22) as shown in Fig. S.

Note: Take care not to allow the the line on the spool to unravel. Hold it firmly with one hand at all times.

- ◆ Insert the 19mm end of the bulk line into the hole (26) in the spool adjacent to the slot as shown in Fig. S. Make sure the line is pulled tight against the spool as shown in Fig. T.
- ◆ Wind the cutting line onto the spool in the direction of the arrow on the spool. Make sure to wind the line on neatly and in layers. Do not crisscross (Fig. T).
- ◆ When the wound cutting line reaches the recesses (24), cut the line. (Fig. S).
- ◆ Fit the spool onto the trimmer as described in "REPLACING THE SPOOL".

Warning! Before you begin trimming, only use the appropriate type of cutting line.

Mains plug replacement (U.K. & Ireland only)

If a new mains plug needs to be fitted:

- ◆ Safely dispose of the old plug.
- ◆ Connect the brown lead to the live terminal in the new plug.
- ◆ Connect the blue lead to the neutral terminal.

Warning! No connection is to be made to the earth terminal. Follow the fitting instructions supplied with good quality plugs. Recommended fuse: 13 A.

Troubleshooting

If your tool seems not to operate properly, follow the instructions below. If this does not solve the problem, please contact your local BLACK+DECKER repair agent.

Warning! Before proceeding, unplug the tool.

Machine runs slowly

- ◆ Check that the spool housing can rotate freely. Carefully clean it if necessary.

- ◆ Check that the cutting line does not protrude more than approximately 136mm from the spool. If it does, cut it off so that it just reaches the line trimming blade.

POWERCOMMAND feed does not work

- ◆ Remove the spool cap.
- ◆ Pull the cutting line until it protrudes approximately 136mm from the spool. If insufficient cutting line is left on the spool, install a new spool of cutting line.
- ◆ Ensure that the line is not crisscrossed on the spool as detailed in Fig. T. If it is, unwind the cutting line, then wind it back on the spool neatly so that the lines do not cross.
- ◆ Ensure the beginning of the cutting line is pulled tight against the spool as shown in Fig. S.
- ◆ Align the tabs on the spool cap with the cut outs in the housing.
- ◆ Push the spool cap onto the housing until it snaps securely into place.
- ◆ If the cutting line protrudes beyond the trimming blade, cut it off so that it just reaches the blade.

If the POWERCOMMAND line feed still does not work or the spool is jammed, try the following suggestions:

- ◆ Carefully clean the spool and housing.
- ◆ Remove the spool and check if the lever in the spool housing can move freely.
- ◆ Remove the spool and unwind the cutting line, then wind it on neatly again. Replace the spool into the housing.

Maintenance

Your BLACK+DECKER corded/cordless machine/tool has been designed to operate over a long period of time with a minimum of maintenance. Continuous satisfactory operation depends upon proper tool/machine care and regular cleaning. Your charger does not require any maintenance apart from regular cleaning.

Warning! Before performing any maintenance on corded/cordless power tools:

- ◆ Switch off and unplug the machine/tool.
- ◆ Or switch off and remove the battery from the machine/tool if the machine/tool has a separate battery pack.
- ◆ Or run the battery down completely if it is integral and then switch off.
- ◆ Unplug the charger before cleaning it. Your charger does not require any maintenance apart from regular cleaning.
- ◆ Regularly clean the ventilation slots in your tool/machine and charger using a soft brush or dry cloth.
- ◆ Regularly clean the motor housing using a damp cloth. Do not use any abrasive or solvent-based cleaner.
- ◆ Regularly clean the cutting line and spool using a soft brush or dry cloth.

- ◆ Regularly use a blunt scraper to remove grass and dirt from the underneath of the guard.

Protecting the environment



Separate collection. Products and batteries marked with this symbol must not be disposed of with normal household waste

Products and batteries contain materials that can be recovered or recycled reducing the demand for raw materials.

Please recycle electrical products and batteries according to local provisions. Further information is available at www.2helpU.com

Technical data

		BESTE625 Type 1	BESTE628 Type 1	BESTE630 Type 1
Voltage	V _{AC}	230	230	230
Power Input	W	450	550	550
No-Load Speed	min ⁻¹	7500	7500	7500
Weight	kg	2.5	2.5	2.5

BESTE625 Level of sound pressure:

Sound pressure (L_{pA}) 80 dB(A), uncertainty (K) 3 dB(A)

Sound power (L_{WA}) 93 dB(A), uncertainty (K) 2.6 dB(A)

BESTE625 Vibration total values (triax vector sum) according to EN 50636-2-91:

Vibration emission value (a_h) 4.4 m/s², uncertainty (K) 1.7 m/s²

BESTE628 Level of sound pressure:

Sound pressure (L_{pA}) 81 dB(A), uncertainty (K) 3 dB(A)

Sound power (L_{WA}) 94 dB(A), uncertainty (K) 1.1 dB(A)

BESTE628 Vibration total values (triax vector sum) according to EN 50636-2-91:

Vibration emission value (a_h) 4.7 m/s², uncertainty (K) 1.7 m/s²

BESTE630 Level of sound pressure:

Sound pressure (L_{pA}) 80 dB(A), uncertainty (K) 3 dB(A)

Sound power (L_{WA}) 93 dB(A), uncertainty (K) 2.6 dB(A)

BESTE630 Vibration total values (triax vector sum) according to EN 50636-2-91:

Vibration emission value (a_h) 4.9 m/s², uncertainty (K) 1.7 m/s²

EC declaration of conformity

MACHINERY DIRECTIVE
OUTDOOR NOISE DIRECTIVE



BESTE625, BESTE628, BESTE630 - Trimmer

Black & Decker declares that these products described under "technical data" are in compliance with:

2006/42/EC, EN60335-1:2012 +A11:2014,
EN 50636-2-91:2014

2000/14/EC, Lawn Trimmer, $L \leq 50$ cm, Annex VI

DEKRA Certification B.V. Meander 1051 / P.O. Box 5185
6825 MJ ARNHEM / 6802 ED ARNHEM, Netherlands

Notified Body ID No.: 0344

Level of acoustic power according to 2000/14/EC (Article 12, Annex III, $L \leq 50$ cm):

L_{max} (measured sound power) 93 dB(A)

Uncertainty = 3 dB(A)

L_{max} (guaranteed sound power) 96 dB(A)

These products also comply with Directive 2014/30/EU and 2011/65/EU. For more information, please contact Black & Decker at the following address or refer to the back of the manual.

The undersigned is responsible for compilation of the technical file and makes this declaration on behalf of Black & Decker.

R. Laverick
Director of Engineering
Black & Decker Europe, 210 Bath Road, Slough,
Berkshire, SL1 3YD
United Kingdom
08/11/2017

Guarantee

Black & Decker is confident of the quality of its products and offers consumers a 24 month guarantee from the date of purchase. This guarantee is in addition to and in no way prejudices your statutory rights. The guarantee is valid within the territories of the Member States of the European Union and the European Free Trade Area.

To claim on the guarantee, the claim must be in accordance with Black & Decker Terms and Conditions and you will need to submit proof of purchase to the seller or an authorised repair agent. Terms and conditions of the Black & Decker 2 year guarantee and the location of your nearest authorised repair agent can be obtained on the Internet at www.2helpU.com, or by contacting your local Black & Decker office at the address indicated in this manual:

Please visit our website www.blackanddecker.co.uk to register your new BLACK+DECKER product and receive updates on new products and special offers.

Область застосування

Ваш тример BESTE625, BESTE628, BESTE630 EASYFEED виробництва компанії BLACK+DECKER був розроблений для підрізання та надання красивого вигляду газону та для обрізання трави на важкодоступних ділянках. Ці пристрої призначені лише для побутового використання.

Інструкції з техніки безпеки

Увага! При використанні пристроїв з живленням від електричної мережі необхідно дотримуватись основних заходів безпеки, включаючи наступні, щоб знизити ризик виникнення пожежі, ураження електричним струмом, травм та матеріальних ушкоджень.

Увага! При використанні пристрою необхідно дотримуватись правил техніки безпеки.

Перед використанням пристрою уважно прочитайте цей посібник для забезпечення власної безпеки та безпеки сторонніх людей.

Будь ласка зберігайте інструкції в безпечному місці для використання в майбутньому.

- ◆ Перед роботою з пристроєм уважно прочитайте це керівництво.

- ◆ Використання за призначенням описане в цьому керівництві.
- ◆ Використання будь-яких насадок чи додаткових інструментів, або виконання операцій з приладом, не описаних у цьому керівництві, може призвести до особистих травм.
- ◆ Зберігайте це керівництво для отримання інформації в подальшому.

Використання пристрою

Будьте уважні при використанні пристрою.

- ◆ Завжди використовуйте захисні окуляри.
- ◆ Ніколи не дозволяйте дітям та особам, які не знають всіх інструкцій, використовувати цей пристрій.
- ◆ Не використовуйте пристрій, коли інші особи, особливо **діти** або домашні тварини знаходяться поруч.
- ◆ Необхідний ретельний нагляд, коли пристрій використовується біля дітей.

- ◆ Цей пристрій не призначений для використання молодими та хворими людьми без нагляду.
 - ◆ Цей пристрій не можна використовувати в якості іграшки.
 - ◆ Використовуйте цей пристрій лише вдень або за умови хорошого штучного освітлення.
 - ◆ Якщо цей пристрій починає занадто сильно вібрувати або якщо він зіткнувся із стороннім предметом, вимкніть пристрій та витягніть вилку з розетки. Огляньте пристрій на наявність пошкоджень, замініть або відремонтуйте пошкоджені деталі, перевірте міцність фіксації деталей.
 - ◆ Уникайте використання пристрою у погану погоду, особливо коли є ризик блискавки.
 - ◆ Використовуйте лише в сухому місці. Не дозволяйте, щоб пристрій був вологим.
 - ◆ Не занурюйте пристрій у воду.
 - ◆ Не відкривайте корпус. Всередині відсутні деталі, які користувач може обслуговувати самотійно.
 - ◆ Не використовуйте цей пристрій у вибухонебезпечних умовах, наприклад, в присутності легкозаймистих рідин, газів або пилу.
 - ◆ Щоб знизити ризик пошкодження вилок та шнурів, ніколи не тягніть за кабель, щоб витягнути вилку з розетки.
- ### Безпека сторонніх людей
- ◆ Ніколи не дозволяйте **дітям**, особам зі зниженими фізичними, сенсорними або розумовими можливостями або особам, яким бракує досвіду чи знань, а також людям, які не ознайомлені з даними інструкціями, використовувати пристрій; місцеві законодавчі акти можуть обмежувати вік оператора.
 - ◆ Не дозволяйте дітям грати з цим пристроєм.
 - ◆ Не дозволяйте дітям очищувати пристрій та

виконувати його технічне обслуговування.

Залишкові ризики

Під час використання інструмента можуть виникнути додаткові залишкові ризики, які не внесено до попереджень щодо техніки безпеки в цьому посібнику. Ці ризики можуть виникнути як результат неправильного використання, тривалого використання тощо. Незважаючи на виконання всіх відповідних правил техніки безпеки та використання захисних пристроїв, неможливо уникнути деяких залишкових ризиків. Сюди належать:

- ◆ Травми через контакт з деталями, що рухаються/обертаються.
- ◆ Травми при заміні деталей, пильних полотен або аксесуарів.
- ◆ Травми через занадто тривале використання інструменту.
- ◆ При використанні будь-якого інструменту протягом тривалого періоду часу не

забувайте робити регулярні перерви.

- ◆ Порушення слуху.
- ◆ Небезпека для здоров'я через вдихання пилу, що утворюється при використанні інструменту (наприклад, при роботі з деревом, особливо з дубом, березою та ДВП).

Вібрація

Значення вібрації, вказані в технічних даних та в декларації про відповідність виміряні з дотриманням стандартних методів тестування, наданих у EN50636, та їх можна використовувати для порівняння одного інструменту з іншим.

Заявлені значення вібрації можна також використовувати для попередньої оцінки впливу вібрації.

Увага! Значення вібрації під час використання інструмента може відрізнитися від заявленого в залежності від способів використання інструмента. Рівень вібрації може перевищувати вказані значення.

Оцінюючи вплив вібрації для визначення заходів безпеки за вимогами 2002/44/ЕС, щоб захистити людей, які регулярно використовують інструменти в роботі, необхідно враховувати реальні умови та способи використання інструмента, у тому числі всі періоди робочого циклу, наприклад часу, коли інструмент вимкнено та коли він знаходиться в режимі очікування, а також часу реальної роботи пристрою.

Після використання

- ◆ Коли пристрій не використовується, його необхідно зберігати у сухому, добре провітрюваному та недоступному для дітей місці.
- ◆ Дітям забороняється мати доступ до пристрою в місці зберігання.
- ◆ Якщо пристрій зберігається або транспортується в автомобілі, його необхідно помістити в багажник або зафіксувати, щоб уникнути рухів через раптові зміни швидкості або напрямку.

Перевірка та ремонт

- ◆ Перед використанням перевірте пристрій на наявність пошкоджених деталей.
- ◆ Перевірте не наявність пошкоджених деталей та інших умов, що можуть вплинути на роботу.
- ◆ Не використовуйте пристрій, якщо виявлено пошкодження або дефекти якоїсь деталі.
- ◆ Пошкоджені або дефектні деталі необхідно відремонтувати або замінити, звернувшись до авторизованого центру з ремонту.
- ◆ Ніколи не намагайтесь знімати або замінювати деталі, за винятком тих, що вказані в цьому керівництві.

Додаткові інструкції з техніки безпеки для тримерів

Увага! Ріжучі елементи продовжують обертатися після вимкнення мотору.

- ◆ Ознайомтесь в правилами управління та відповідного використання пристрою.
- ◆ Перед використанням огляньте кабель живлення та подовжуючий шнур на ознаки пошкодження, зносу та старіння.
- ◆ Якщо шнур пошкоджується під час використання, негайно від'єднайте його від електромережі. НЕ ТОРКАЙТЕСЬ ШНУРА, ДОКИ ВІН НЕ ВІД'ЄДНАНИЙ ВІД ЕЛЕКТРОМЕРЕЖІ.
- ◆ Не використовуйте пристрій, якщо його кабелі пошкоджені або зношені.
- ◆ Перед використанням пристрою та після будь-якої роботи з ним перевіряйте пристрій на ознаки зносу або пошкодження та виконуйте ремонт за необхідності.
- ◆ Стежте за тим, що вентиляційні отвори були чистими.
- ◆ Підберіть міцне неслизьке взуття для захисту ніг.
- ◆ Вдягайте довгі штани, щоб захистити ноги.
- ◆ Перед використанням пристрою перевірте, що лінія вашого розрізу вільна від прутів, каміння, проводки та інших перешкод.
- ◆ Використовуйте цей пристрій лише у вертикальному положенні так, щоб ріжуча волосінь була недалеко від землі. Ніколи не вмикайте пристрій в іншому положенні.
- ◆ Не перенапружуйтеся та постійно зберігайте рівновагу. Стежте за положенням ніг на схилах, за пристроєм потрібно йти, а не бігти.
- ◆ Не працюйте, стоячи на нахиленій поверхні. Рухайтесь по схилу поперек, а не вгору або вниз.
- ◆ При використанні пристрою рухайтесь повільно. Пам'ятайте, що скошена трава волога та слизька.
- ◆ Ніколи не переходьте гравієві доріжки та дороги з увімкненим пристроєм.
- ◆ Не торкайтесь небезпечних деталей, що рухаються, до відключення пристрою від

мережі живлення і повної зупинки рухомих деталей.

- ◆ Ніколи не торкайтесь ріжучої волосіні, коли пристрій увімкнений.
- ◆ Ніколи не кладіть пристрій, доки ріжучий елемент повністю не зупиниться.
- ◆ Використовуйте лише відповідний тип ріжучої волосіні. Забороняється використовувати металеву та рибачку волосінь.
- ◆ Ніколи не торкайтесь леза підрізного ножа.
- ◆ Зверніть увагу на те, щоб кабель знаходився на безпечній відстані від ріжучого елемента.
- ◆ Стежте за положенням кабелю при роботі.
- ◆ Тримайте руки та ноги подалі від ріжучої волосіні, особливо при ввімкненні інструменту.
- ◆ Ніколи не використовуйте пристрій із пошкодженими захисними кожухами або без них.
- ◆ Будьте обережні, щоб не пошкодитись якимось

пристроєм, встановленим для підрізання довжини ріжучої волосіні.

- ◆ Після витягування нової ріжучої волосіні завжди повертайте пристрій у нормальне робоче положення перед увімкненням його.
- ◆ Не використовуйте тример для газонів (тример для обробки краю газону), якщо шнур пошкоджений або зношений.
- ◆ Утримуйте подовжуючий шнурі подалі від ріжучих елементів.

Електрична безпека



Цей пристрій має подвійну ізоляцію; тому заземлення не є необхідним. Завжди перевіряйте відповідність джерела живлення напрузі, яка вказана на табличці з паспортними даними.

- ◆ Якщо шнур живлення пошкоджений, його необхідно замінити у виробника або в офіційному сервісному центрі компанії

BLACK+DECKER для уникнення небезпеки.

- ◆ Рівень електричної безпеки можна також підвищити, використовуючи високочутливий пристрій залишкового струму (RCD) 30 мА.

Використання подовжувального кабелю

Завжди використовуйте відповідний подовжуючий кабель, що підходить для споживаної потужності цього інструменту (див. технічні дані). Подовжуючий шнур повинен підходити для використання на вулиці та повинен мати відповідне маркування. До 30 м подовжуючого шнура з площею перетину 1,5 мм² H05VV-F можна використовувати без втрати продуктивності роботи виробу. Перед використанням огляньте кабель на ознаки пошкодження, зносу та старіння. Замініть кабель, якщо він пошкоджений або має якісь дефекти. При використанні

кабельного барабану завжди витягуйте весь кабель.

Маркування на пристрої

Наступні попереджуючі символи нанесені на пристрій разом в кодом дати:



Увага! Прочитайте ці інструкції перед використанням.



Використовуйте захисні окуляри при роботі з пристроєм.



При використанні пристрою використовуйте засоби захисту органів слуху.



Завжди витягайте вилку з розетки перед оглядом пошкодженого кабелю. Не використовуйте тример, якщо кабель пошкоджений.



Бережіться летючих об'єктів. Тримайте сторонніх людей подалі від ріжучої поверхні.



Не залишайте пристрій під дощем та в умовах підвищеної вологості.



В Директиві 2000/14/ЕС вказана гарантована звукова потужність.

Компоненти

Цей пристрій оснащено всіма або кількома з указаних нижче компонентів.

1. Вимикач
2. Кнопка EASYFEED
3. Фіксатор шнура
4. Вилка шнура живлення
5. Допоміжна ручка
6. Затискна муфта
7. Корпус мотору
8. Колесо направляючої для кромки (лише для пристроїв BESTE628 і BESTE630)
Дротова направляюча для кромки (лише для пристроїв BESTE625)
9. Захисний кожух
10. Котушка

Монтаж

Увага! Перед монтажем переконайтеся, що інструмент вимкнено та вилка витягнута з розетки.

Встановлення захисного кожуха (рис.А і В)

- ◆ Переверніть тример догори так, щоб було видно котушку (10).
- ◆ Витягніть гвинт захисного кожуха викруткою phillips (не входить до комплекту пристрою).
- ◆ Переверніть захисний кожух (9) та повністю встановіть його на корпус мотору (7).
- ◆ Переконайтеся, що фіксатори (9а) на захисному кожусі входять у отвори (11) корпусу мотору, як показано на рис.А. Фіксатор блокування (25) повинен увійти в отвір корпусу (26).
- ◆ Продовжуйте насаджувати захисний кожух до упору.
- ◆ Вставте гвинт кожуха та добре затягніть його, як показано на рис.В, щоб завершити встановлення захисного кожуха.
- ◆ Після встановлення кожуха зніміть кришку з ріжучої волосіні на краю захисного кожуха.

Увага! Не використовуйте інструмент, якщо захисний кожух встановлено не правильно або не до кінця.

Встановлення допоміжної ручки (рис.С, D, E)

- ◆ Щоб встановити ручку (5), натисніть на кнопки (12) на обох сторонах верхньої частини корпусу, як показано на рис.С.
- ◆ Розмістіть ручку, як показано на рис.Д, поєднуючи сторону ручки з пазом з пазом на кнопці.
- ◆ Частково натисніть на ручку так, щоб кнопки були всередині ручки, коли ви їх відпустите.
- ◆ Потім повністю встановіть ручку на корпус так, щоб почути звук її встановлення до упору (рис.Е).
- ◆ Щоб пересунути ручку вниз або вгору, натисніть кнопку (13) та підніміть або опустіть ручку.
- ◆ Ручку потрібно встановити так, щоб ваша передня рука була прямою під час роботи з тримером.

Налаштування висоти (рис.Ф)

- ◆ Загальну висоту тримера можна налаштувати, відпустивши затискну муфту (6) та повернувши її у напрямку стрілки, як показано на рис.Ф.
- ◆ Перемістіть верхню частину корпусу догори або донизу. Коли встановлена потрібна висота, затягніть затискну муфту, повернувши її у зворотному напрямку, як показано на рис.Ф.

Прикріплення подовжуючого шнура (рис.Г)

Фіксатор подовжуючого шнура (3) знаходиться на ручці перемикача, що дозволяє уникнути від'єднання шнура.

- ◆ Щоб скористатися цією функцією, просто вдвічі збільшіть довжину шнура приблизно до 203 мм від кінця та вставте його в отвір (14) на кінці ручки, як показано на рис.Г.
- ◆ Закріпіть петлю, що утворилася після збільшення шнура вдвічі, у фіксаторі (3). Злегка потягніть шнур, щоб переконаватися, що він міцно зафіксований у ручці тримера.
- ◆ Підключіть вилку подовжуючого шнура у вилку для шнура живлення (4) тримера.

Підготовка ріжучої волосіні до роботи

При транспортуванні ріжуча волосінь приклеєна до корпусу котушки.

Увага! Перед збіркою відключіть пристрій від мережі живлення.

- ◆ Зніміть клейку стрічку, що кріпить ріжучу волосінь до корпусу котушки.
- ◆ Інструкції щодо зняття котушки наведені у розділі «Заміна котушки».

Вірне положення рук

При вірному положенні рук необхідно одну руку тримати на основній ручці, а іншу — на допоміжній ручці (5).

Вмикання та вимикання

Для увімкнення тримера натисніть на перемикач Увімк./Вимк. (1).

Щоб вимкнути тример, відпустіть перемикач Увімк./Вимк.

Використання тримера

- ◆ Увімкніть пристрій, нахиліть його та рухайте повільно зі сторони в сторону, як показано на рисунку Н.
- ◆ Підтримуйте кут різання від 5° до 10°, як показано на рис.І. Не перевищуйте кут 10° (рис.І). Підрізуйте траву кінцем волосіні. Використовуйте колесо для підрізання кромки (8) для утримання відстані від твердих поверхонь.
- ◆ Підтримуйте відстань не менше 600 мм між захисним кожухом та своїми ногами, як показано на рис.І. Щоб досягти такої відстані налаштуйте загальну висоту тримера, як показано на рис.Ф.

Кнопка EASYFEED™ (рис.К)

Функція EASYFEED™ під час роботи дозволяє подавати доступну ріжучу волосінь.

- ◆ Щоб витягнути ріжучу волосінь, повністю натисніть кнопку EASYFEED™ (2) під час роботи, а потім відпустіть її (рис.К).

Примітка! Тример зупинить процес підрізання, коли натиснена кнопка EASYFEED™, та відновить роботу, коли вона буде відпущена.

- ◆ Для отримання ріжучої волосіні максимальної довжини натисніть кнопку кілька разів, доки не почуєте, як ріжуча волосінь торкається захисного кожуха.

Примітка! Не натискайте кнопку EASYFEED™ після отримання волосіні максимальної довжини. Це призведе до надмірної подачі та необхідності швидшої заміни волосіні.

Перехід до режиму вирівнювання краю (рис.L)

Тример може бути використаний для підстригання трави або для вирівнювання краю газону або квіткових клумб.

Увага! Відключіть вилку від джерела живлення перед виконанням налаштування.

Увага! При використанні пристрої в режимі вирівнювання краю газону каміння, шматки металу або інші предмети можуть вилітати з-під волосіні з великою швидкістю. Тример та захисний кожух розроблені так, щоб зменшити цю небезпеку. Однак **ПЕРЕКОНАЙТЕСЬ**, що інші люди та тварини знаходяться на відстані не менше 30 м.

- ◆ Щоб скористатися функцією вирівнювання краю, поверніть затискну муфту (6), як показано на рис.L.
- ◆ Утримуйте металевий хвостовик та поверніть нижню частину корпусу на 180°, як показано на рис.L.
- ◆ Поверніть затискну муфту назад та затягніть її.

Примітка. Металевий хвостовик та корпус можуть повертатися лише в одну сторону.

- ◆ Щоб повернути режим тримера, відпустіть затискну муфту, поверніть нижню частину корпусу на 180° та затягніть знову.

Вирівнювання краю (рис.M)

Оптимальний результат підрізання досягається при висоті краю більше за 50 мм. Не використовуйте тример для створення борозни.

- ◆ Використовуючи колесо для підрізання кромки (8) або дротову направляючу, спрямовуйте тример, як показано на рис.M.
- ◆ Встановіть колесо для підрізання кромки на край тротуару або іншої абразивної поверхні так, щоб ріжуча волосінь була над травою або іншою ділянкою, яку потрібно вирівняти.

Примітка. Якщо колесо для підрізання кромки розташоване занадто далеко від кромки, а ріжуча волосінь знаходиться над тротуаром або іншою абразивною поверхнею, вона буде швидше зношуватись.

- ◆ Для більш короткого зрізу, трохи нахиліть тример.
- ◆ Поверніть режим тримера, відпустивши затискну муфту і повернувши нижню частину корпусу назад

на 180°. Пристрій буде заблокований у положенні режиму тримера.

Ріжуча волосінь/подача волосіні

У тримері використовується КРУГЛА нейлонова волосінь діаметром 1,65 мм. Під час використання кінці нейлонової волосіні ламаються та зношуються, а котушка з автоматичною подачею подає та оновлює волосінь. Ріжуча волосінь зноситься швидше та буде вимагати частішої заміни, якщо скошувати траву або вирівнювати край біля тротуару або іншої абразивної поверхні, або якщо скошувати твердішу траву.

Покращений автоматичний механізм подачі волосіні відчуває, коли потрібно додати ріжучу волосінь та підрізати певну довжину волосіні за необхідності. Не ударяйте тримером по землі, щоб викликати подачу волосіні або з інших причин.

Рекомендації з підрізання газону

- ◆ Використовуйте кінчик волосіні для підрізання; не вставляйте всю голівку з волосінню у непідрізану траву.
- ◆ Огорожі та паркани можуть спричинити надмірний знос волосіні, навіть її розрив. Кам'яні та цегляні стіни, бордюри та дерево можуть спричинити швидший знос волосіні.
- ◆ Не тягніть кришку котушки по землі та іншим поверхням.
- ◆ При зрізанні високої трави починайте зрізати згори не більше 300 мм за раз.
- ◆ Утримуйте тример нахиленим до ділянки, яка підрізується; це найкраще місце для підрізання.
- ◆ Тример зрізує траву при його переміщенні зліва направо. Це дозволить уникнути потрапляння сміття в оператора.
- ◆ Уникайте дерев та кущів. Волосінню можна легко пошкодити кору рослин, дерев'яні огорожі, облицювальні матеріали та забори.

Заміна котушки (рис.N, O, P, Q)

Увага! Щоб знизити ризик серйозних травм, вимкніть пристрій та відключіть його від мережі живлення перед виконанням будь-яких налаштувань або зніманням/встановленням насадок або аксесуарів. Випадковий запуск може призвести до травм

- ◆ Натисніть на фіксатори (15) і зніміть кришку котушки (10a) з її корпусу (16) у голівці тримера (рис.N).
- ◆ Для кращого результату замініть на котушку фірми BLACK+DECKER, модель № A6481.
- ◆ Візьміть порожню котушку однією рукою, корпус котушки — іншою рукою та витягніть котушку.

- ◆ Якщо важіль (17) (рис.О) в основі корпусу зміститься, встановіть його у відповідне положення перед встановленням нової котушки у корпус.
- ◆ Видаліть бруд та траву з котушки та її корпусу.
- ◆ Від'єднайте кінець ріжучої волосіні та пропустіть його в один з отворів (19), як показано на рис.Р.
- ◆ Візьміть нову котушку та встановіть її на втулку корпусу (18) (рис.О). Трохи поверніть котушку, щоб вона встала на місце. Ріжуча волосінь повинна виступати приблизно на 136 мм з-під корпусу.
- ◆ Вирівняйте фіксатори на кришці котушки відносно отворів (20) корпусу (рис.С).
- ◆ Натисніть на кришку так, щоб вона встала на своє місце на корпусі.

Увага! Щоб уникнути пошкодження тримера, якщо ріжуча волосінь виступає за лезо, обріжте її так, щоб вона тільки доходила до нього.

Намотування волосіні на котушку (рис.С, Т)

Запасні котушки ріжучої волосіні можна придбати у дилерів компанії BLACK+DECKER. Також можна придбати набір з 3 котушок з ріжучою волосінню.

- ◆ Відключіть інструмент від мережі живлення.
- ◆ Витягніть порожню котушку з тримера, як показано у розділі «ЗАМІНА КОТУШКИ».
- ◆ Витягніть всю волосінь, що залишилася, з котушки.
- ◆ Зігніть кінець ріжучої волосіні на відстані приблизно 19 мм (21). Вставте ріжучу волосінь у один з отворів фіксації волосіні (22), як показано на рис.С.

Примітка. Не допустіть розмотування волосіні з котушки. Постійно тримайте її міцно однією рукою.

- ◆ Вставте кінець волосіні довжиною 19 мм в отвір (26) у котушці поряд з прорізом, як показано на рис.С. Переконайтесь, що волосінь щільно намотана на котушку, як показано на рис.Т.
- ◆ Намотайте волосінь на котушку у напрямку, що вказано стрілкою на котушці. Намотуйте волосінь обережно та шарами. Не перехрещуйте волосінь (рис.Т).
- ◆ Коли останній намотаний шар волосіні буде на рівні пазів (24), обріжте волосінь. (рис.С).
- ◆ Встановіть котушку у тример, як описано у розділі «ЗАМІНА КОТУШКИ».

Увага! Перед початком роботи з тримером оберіть ріжучу волосінь відповідного типу.

Заміна шнура живлення (тільки для Великобританії та Ірландії)

Якщо нові шнури живлення мають бути прилаштовані:

- ◆ Зніміть стару вилку та утилізуйте її, дотримуючись правил техніки безпеки.

- ◆ Приєднайте коричневий провідник до активного виходу нової вилки.
- ◆ Приєднайте блакитний провідник до нейтрального виходу.

Увага! Жоден провід не повинен бути підключений до клеми заземлення. Дотримуйтесь інструкцій щодо налаштування, що постачаються з якісними вилками. Плавкий запобіжник, що рекомендується: 13 А.

Усунення несправностей

Якщо вам здається, що ваш інструмент працює невірно, виконайте інструкції, що наводяться нижче. Якщо вам не вдалося вирішити проблему, будь ласка, зверніться до сервісного центру компанії BLACK+DECKER.

Увага! Перед виконанням операцій, від'єднайте інструмент від мережі живлення.

Пристрій працює повільно

- ◆ Перевірте, що корпус котушки може вільно обертатися. При необхідності обережно прочистіть його.
- ◆ Ріжуча волосінь не повинна виступати більше ніж на 136 мм з котушки. Обріжте її при необхідності, щоб вона доходила до леза.

Подача POWERCOMMAND не працює

- ◆ Зніміть кришку котушки.
- ◆ Відмотайте ріжучу волосінь так, щоб вона виступала приблизно на 136 мм з котушки. Якщо котушка має мало волосіні, встановіть нову котушку з ріжучою волосінню.
- ◆ Переконайтесь, що волосінь не перехрещена у котушці, як показано на рис.Т. Якщо вона перехрещена, відмотайте ріжучу волосінь, а потім намотайте її акуратно на котушку, щоб вона не плуталася.
- ◆ Переконайтесь, що початок ріжучої волосіні витягнений з котушки, як показано на рис.С.
- ◆ Вирівняйте фіксатори на корпусі котушки відносно виступів корпусу.
- ◆ Натисніть на кришку котушки так, щоб вона встала на своє місце на корпусі.
- ◆ Якщо ріжуча волосінь виступає за лезо, обріжте її так, щоб вона тільки доходила до нього.

Якщо механізм подачі волосіні POWERCOMMAND все ж не працює або котушка не прокручується, спробуйте наступне:

- ◆ Обережно прочистіть котушку і корпус.
- ◆ Витягніть котушку і переконайтесь, що важіль у корпусі котушки рухається вільно.
- ◆ Витягніть котушку і розмотайте ріжучу волосінь, а потім намотайте її знов ретельно. Замініть котушку в корпусі.

Технічне обслуговування

Ваш пристрій виробництва компанії BLACK+DECKER призначений для роботи протягом довгого часу з мінімальним обслуговуванням. Довга задовільна робота пристрою залежить від відповідного обслуговування інструменту/пристрою та регулярного очищення. Зарядний пристрій не вимагає технічного обслуговування, лише необхідно проводити регулярне очищення.

Увага! Перед виконанням будь-якого технічного обслуговування інструменту зі шнуром живлення або без нього:

- ◆ Вимкніть пристрій/інструмент та відключіть його від мережі живлення.
- ◆ Або вимкніть пристрій/інструмент та витягніть акумулятор з нього, якщо він має окремий акумуляторний блок.
- ◆ Або повністю розрядіть акумулятор, якщо пристрій має вбудований акумулятор, а потім вимкніть інструмент.
- ◆ Витягніть зарядний пристрій з розетки перед очищенням. Зарядний пристрій не вимагає технічного обслуговування, лише необхідно проводити регулярне очищення.
- ◆ Регулярно очищуйте вентиляційні отвори інструменту/пристрою та зарядного пристрою, використовуючи м'яку щітку або суху ганчірку.
- ◆ Регулярно очищуйте корпус мотору, використовуючи вологу ганчірку. Не використовуйте абразивні очищувачі та засоби, що містять розчинники.
- ◆ Регулярно очищуйте ріжучу волосін і котушку за допомогою м'якої щітки або сухої ганчірки.
- ◆ Регулярно використовуйте тупий скребок для видалення трави та бруду з під захисного кожуху.

Захист навколишнього середовища



Роздільний збір. Пристрої та батареї, позначені цим символом, можна викидати зі звичайним побутовим сміттям

Пристрої та батареї містять матеріали, які можна відновити та переробити, що зменшить потребу у сировині.

Будь ласка, віддавайте електричні інструменти та батареї на переробку відповідно до місцевих постанов. Більш детальну інформацію можна отримати на сайті www.2helpU.com

Технічні дані

		BESTE625 тип 1	BESTE628 тип 1	BESTE630 тип 1
Напруга	Вас	230	230	230
Вхідна потужність	Вт	450	550	550
Швидкість без навантаження	хв. ⁻¹	7500	7500	7500
Вага	кг	2,5	2,5	2,5

BESTE625 Рівень звукового тиску:

Звуковий тиск (L_{pA}) 80 дБ(А), похибка (К) 3 дБ(А)

Звукова потужність (L_{WA}) 93 дБ(А), похибка (К) 2,6 дБ(А)

BESTE625 Загальні значення вібрації (векторна сума трьох векторів) відповідно до стандарту EN 50636-2-91:

Рівень вібрації (a_H) 4,4 м/с², похибка (К) 1,7 м/с²

BESTE628 Рівень звукового тиску:

Звуковий тиск (L_{pA}) 81 дБ(А), похибка (К) 3 дБ(А)

Звукова потужність (L_{WA}) 94 дБ(А), похибка (К) 1,1 дБ(А)

BESTE628 Загальні значення вібрації (векторна сума трьох векторів) відповідно до стандарту EN 50636-2-91:

Рівень вібрації (a_H) 4,7 м/с², похибка (К) 1,7 м/с²

BESTE630 Рівень звукового тиску:

Звуковий тиск (L_{pA}) 80 дБ(А), похибка (К) 3 дБ(А)

Звукова потужність (L_{WA}) 93 дБ(А), похибка (К) 2,6 дБ(А)

BESTE630 Загальні значення вібрації (векторна сума трьох векторів) відповідно до стандарту EN 50636-2-91:

Рівень вібрації (a_H) 4,9 м/с², похибка (К) 1,7 м/с²

Декларація про відповідність нормам ЄС

ДИРЕКТИВА ДЛЯ МЕХАНІЧНОГО ОБЛАДНАННЯ
ДИРЕКТИВА ПРО ШУМИ, ЩО ВИНИКАЮТЬ ПОЗА
ПРИМІЩЕННЯМИ



Тример BESTE625, BESTE628, BESTE630

Компанія Black & Decker заявляє, що продукти, описані
у розділі «Технічні дані» відповідають:

2006/42/EC, EN60335-1:2012 +A11:2014,
EN 50636-2-91:2014

2000/14/EC, тример для газонів, $L \leq 50$ см, Додаток VI
DEKRA Certification B.V. Meander 1051/P.O. Box 5185
6825 MJ ARNHEM / 6802 ED ARNHEM, Нідерланди
Ідентифікаційний № уповноваженого органу: 0344

Рівень акустичної потужності відповідно до 2000/14/EC
(Стаття 12, Додаток III, $L \leq 50$ см):

L_{max} (виміряна акустична потужність) 93 дБ(A)
похибка = 3 дБ(A)

L_{max} (гарантована акустична потужність) 96 дБ(A)

Ці продукти також відповідають Директиві 2014/30/EU
і 2011/65/EU. Для отримання додаткової інформації,
будь ласка, зверніться до компанії Black & Decker за
наведеною нижче адресою або прочитайте інформацію
на зворотному боці цього посібника.

Нижчепідписаний несе відповідальність за
упорядкування файлу технічних характеристик та
робить цю заяву від компанії Black & Decker.

Р. Лаверік (R. Laverick),

Технічний директор

Black & Decker Europe, 210 Bath Road, Slough,
Berkshire, SL1 3YD

United Kingdom (Великобританія)

08.11.2017

Гарантія

Компанія Black & Decker впевнена у якості своєї
продукції та пропонує споживачам гарантію тривалістю
24 місяці з дати покупки. Ця гарантія доповнює і жодним
чином не обмежує ваші законні права. Ця гарантія
є чинною на території країн-членів Європейського Союзу
та в європейській зоні вільної торгівлі.

Позив за гарантією повинен відповідати умовам компанії
Black & Decker, при цьому вам необхідно буде надати
доказ покупки продавцю або спеціалісту офіційного
сервісного центру. Умови 2-річної гарантії компанії
Black & Decker та місцезнаходження найближчого до вас
сервісного центру можна дізнатися в Інтернеті на сайті
www.2helpU.com, або ж можна звернутися до місцевого
представництва компанії Black & Decker за адресою,
вказаною у цьому:

Будь ласка, відвідайте наш сайт
www.blackanddecker.co.uk, щоб зареєструвати свій новий
продукт BLACK+DECKER та отримувати інформацію про
нові продукти та спеціальні пропозиції.



Виробник:

"Stanley Black & Decker Deutschland
GmbH" Black-&-Decker Str.40, D-65510
Idstein, Німеччина



ГАРАНТІЙНИЙ ТАЛОН

2 РОКИ
ГАРАНТІЇ

1. Вітаємо Вас з покупкою високоякісного виробу Black+Decker і висловлюємо вдячність за Ваш вибір.
2. При покупці виробу вимагайте перевірки його комплектності і справності у Вашій присутності, інструкцію з експлуатації та заповнений гарантійний талон українською мовою. В гарантійному талоні повинні бути внесені: модель, дата продажу, серійний номер, дата виробництва інструменту; назва, печатка і підпис торгової організації. За відсутності у Вас правильно заповненого гарантійного талону, а також при невідповідності зазначених у ньому даних ми будемо змушені відхилити Ваші претензії щодо якості даного виробу.
3. Щоб уникнути непорозумінь, переконливо просимо Вас перед початком роботи з виробом уважно ознайомитися з інструкцією з його експлуатації. Правовою основою справжніх гарантійних умов є чинне Законодавство. Гарантійний термін на даний виріб складає 24 місяці і обчислюється з дня продажу. У разі усунення недоліків виробу, гарантійний строк продовжується на період його перебування в ремонті. Термін служби виробу становить 5 років з дня продажу.
4. У разі виникнення будь-яких проблем у процесі експлуатації виробу рекомендуємо Вам звертатися тільки в уповноважені сервісні центри Black+Decker, адреси та телефони яких Ви зможете знайти в гарантійному талоні, на сайті www.2helpU.com або дізнатися в магазині. Наші сервісні станції - це не тільки кваліфікований ремонт, але і широкий асортимент запчастин і аксесуарів.
5. Виробник рекомендує проводити періодичну перевірку і технічне обслуговування виробу в уповноважених сервісних центрах.
6. Наші гарантійні зобов'язання поширюються тільки на несправності, виявлені протягом гарантійного терміну і викликані дефектами виробництва та \ або матеріалів.
7. Гарантійні умови не поширюються на несправності виробу, що виникли в результаті:
 - 7.1. Недотримання користувачем приписів інструкції з експлуатації виробу, застосування виробу не за призначенням, неправильного зберігання, використання приладдя, витратних матеріалів і запчастин, що не передбачені виробником.
 - 7.2. Механічного пошкодження (відколи, тріщини і руйнування) внутрішніх і зовнішніх деталей виробу, основних і допоміжних рукояток, мережевого кабелю, що викликані зовнішнім ударним або будь-яким іншим впливом
 - 7.3. Потрапляння у вентиляційні отвори та проникнення всередину виробу сторонніх предметів, матеріалів або речовин, що не є відходами, які супроводжують застосування виробу за призначенням, такими як: стружка, тирса, пісок, та ін.
 - 7.4. Впливу на виріб несприятливих атмосферних і інших зовнішніх факторів, таких як дощ, сніг, підвищена вологість, нагрівання, агресивні середовища, невідповідність параметрів електромережі, що зазначені на інструменті.
 - 7.5. Стихійного лиха. Пошкодження або втрати виробу, що пов'язані з непередбаченими лихами, стихійними явищами, у тому числі внаслідок дії непереборної сили (пожежа, блискавка, потоп і інші природні явища), а також внаслідок перепадів напруги в електромережі та іншими причинами, які знаходяться поза контролем виробника.
8. Гарантійні умови не поширюються:
 - 8.1. На інструменти, що піддавались розкриттю, ремонту або модифікації поза уповноваженим сервісним центром.
 - 8.2. На деталі, вузли та матеріали, що мають сліди природного зносу, такі як: приводні ремені і колеса, вугільні щітки, мастило, підшипники, зубчасті зчеплення редукторів, гумові ущільнення, сальники, направляючі ролики, муфти, вимикачі, бойки, штовхачі, стволи тощо.
 - 8.3. На змінні частини: патрони, цанги, затискні гайки і фланці, фільтри, ножі, шліфувальні підшви, ланцюги, зірочки, пильні шини, захисні кожухи, пилки, абразиви, пильні і абразивні диски, фрези, свердла, бури тощо
 - 8.4. На несправності, що виникли в результаті перевантаження інструменту (як механічного, так і електричного), що спричинили вихід з ладу одночасно двох і більше деталей і вузлів, таких як: ротора і статора, обох обмоток статора, веденої і ведучої шестерень редуктора або інших вузлів і деталей. До безумовних ознак перевантаження виробу відносяться, крім інших: поява кольорів мінливості, деформація або оплавлення деталей і вузлів виробу, потемніння або обвуглювання ізоляції проводів електродвигуна під впливом високої температури.

Товар отриманий в справному стані, без видимих ушкоджень, в повній комплектації, перевірений у моїй присутності, претензій щодо якості товару не маю. З умовами гарантійного обслуговування ознайомлений і згоден.

П. І. Б. та підпис власника _____

Шановні клієнти, наша мережа авторизованих сервісних центрів постійно розширюється. Актуальну інформацію про обслуговування в місті, що цікавить вас, ви можете дізнатися на сайті

www.2helpU.com

Інформація про інструмент

Найменування інструменту	
Модель	
Найменування продавця	
Дата продажу	

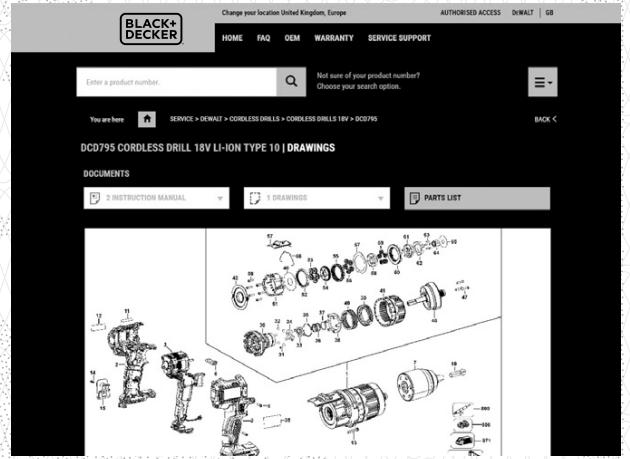
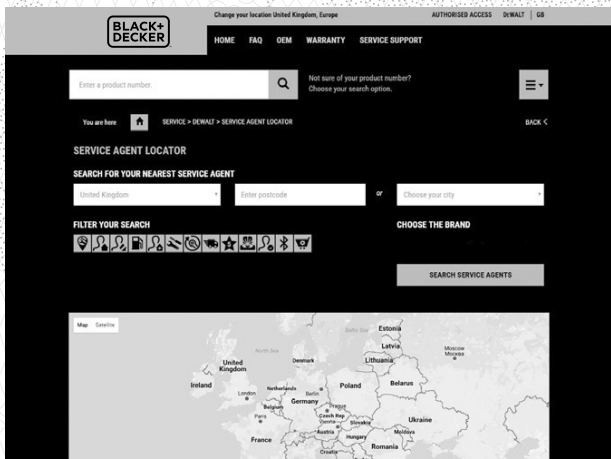
М.П.
Продавця

Серійний номер/Дата виробництва

Інструмент	
Зарядний пристрій	
Акумулятор 1	
Акумулятор 2	

На сайті www.2helpU.com доступні наступні функції:

- Список авторизованих сервісних центрів
- Зручний пошук найближчого сервісного центру
- Керівництво з експлуатації
- Технічні характеристики
- Список деталей і запасних частин
- Схема складання інструменту



**Також дану інформацію ви можете отримати, зателефонувавши за номером:
0 (800) 211 521 в Україні**

ВІДМІТКА ПРО ПРОВЕДЕННЯ СЕРВІСНОГО ОБСЛУГОВУВАННЯ

№1	№2	№3	№4
№ замовлення	№ замовлення	№ замовлення	№ замовлення
Дата прийому	Дата прийому	Дата прийому	Дата прийому
Дата ремонту	Дата ремонту	Дата ремонту	Дата ремонту
Печатка і підпис сервісного центру	Печатка і підпис сервісного центру	Печатка і підпис сервісного центру	Печатка і підпис сервісного центру