

DEWALT®

www.DEWALT.com

DCMST561

English (**original instructions**)

5

Русский (*перевод с оригинала*)

15

Англійська (*оригінальні інструкції*)

28

Fig. A

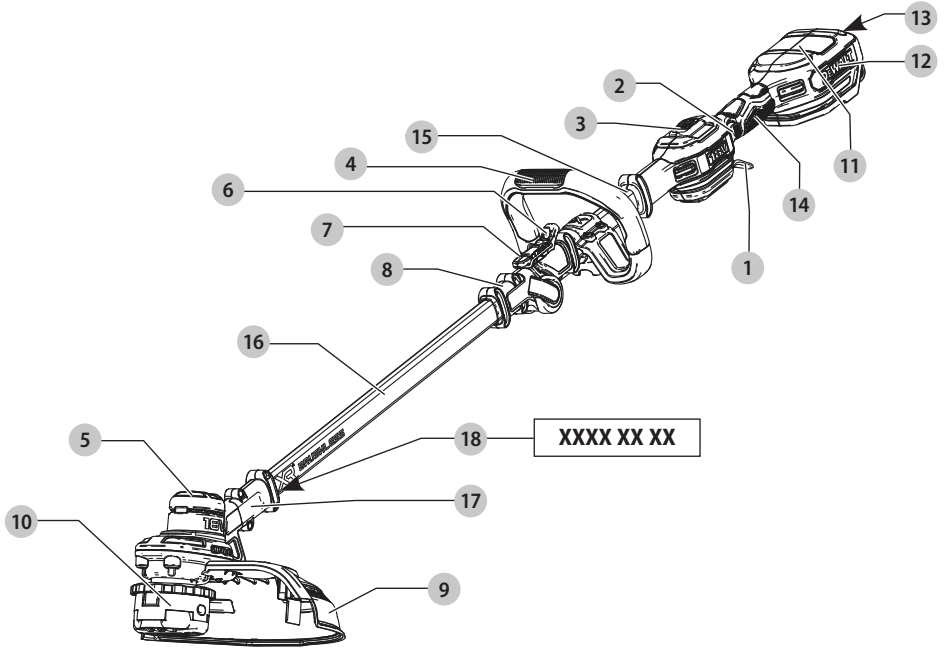


Fig. B

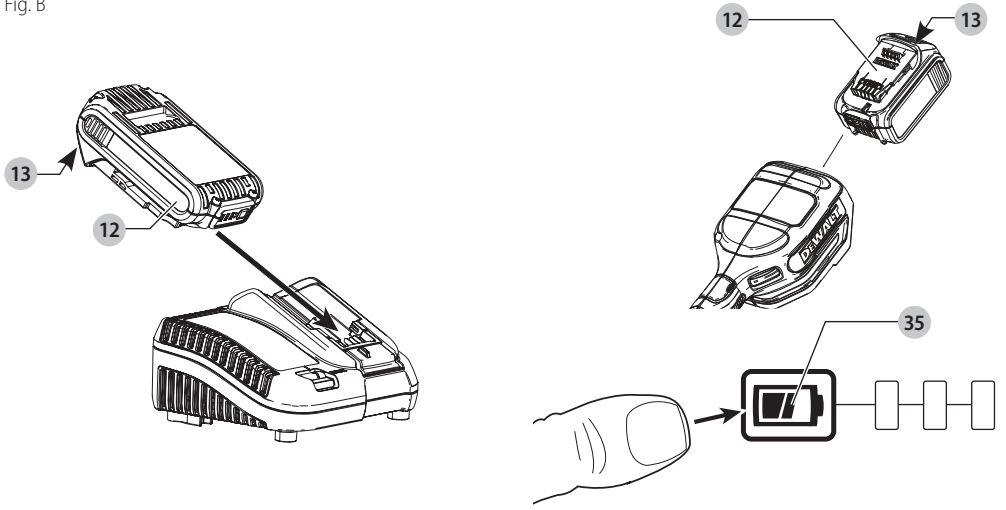


Fig. C

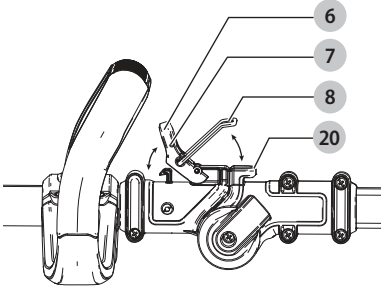


Fig. D

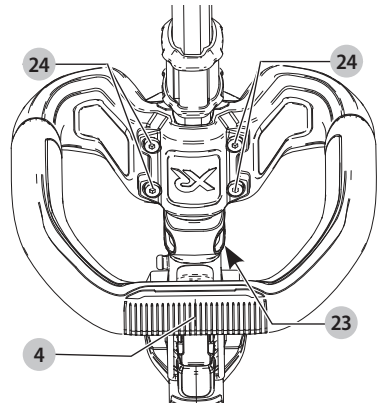


Fig. E

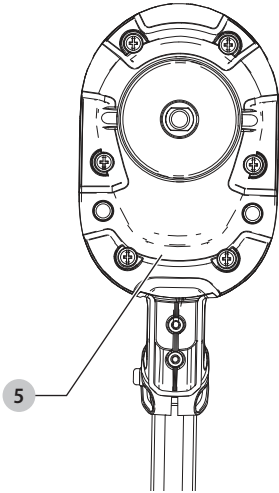


Fig. F

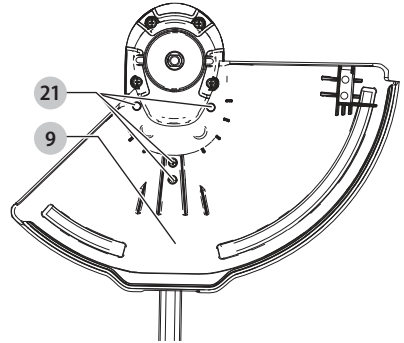


Fig. G

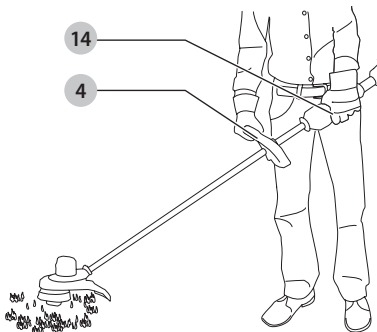


Fig. H

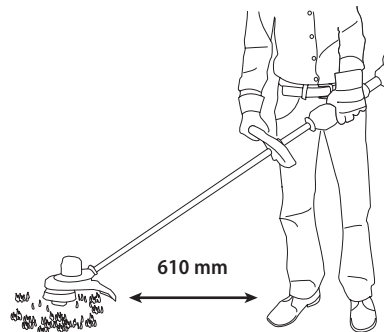


Fig. I

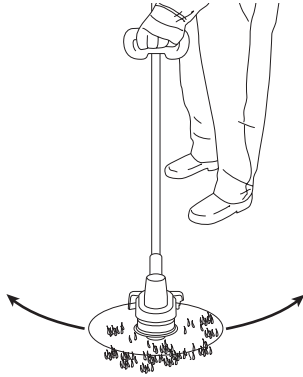


Fig. J

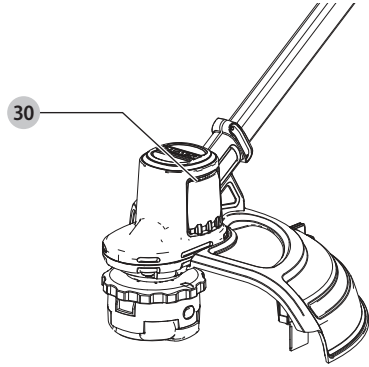


Fig. K

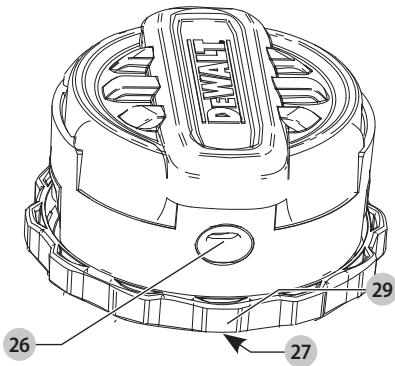


Fig. L

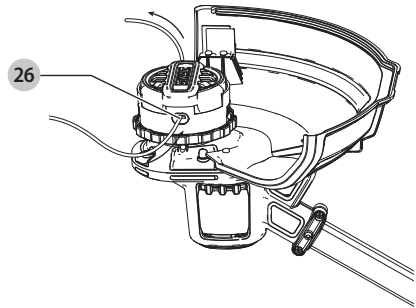


Fig. M

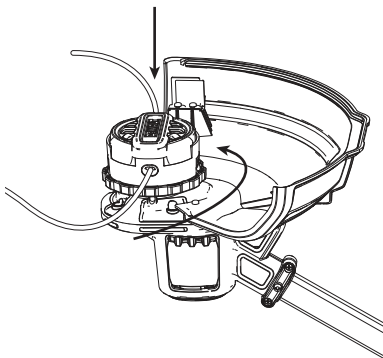


Fig. N

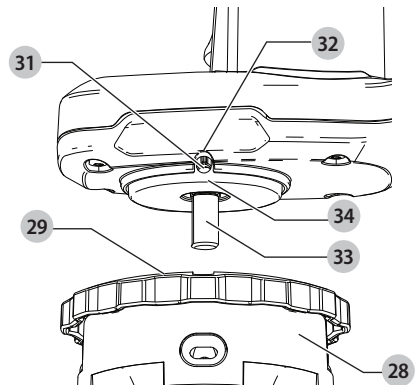


Fig. O

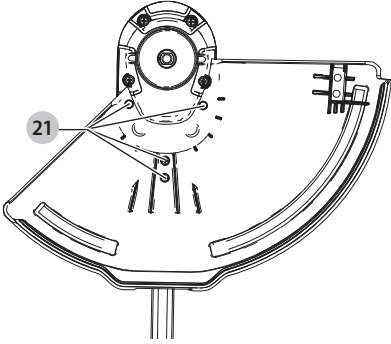
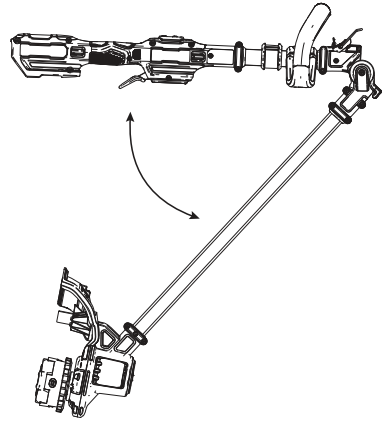


Fig. P



STRING TRIMMER

DCMST561

Congratulations!

You have chosen a DEWALT tool. Years of experience, thorough product development and innovation make DEWALT one of the most reliable partners for professional power tool users.

Technical Data

		DCMST561
Voltage	V _{DC}	18
UK & Ireland	V _{DC}	18
Type		2
Battery type		Li-Ion
Power output	W	400
RPM		0–4600/ 0–6000
Cutting Swath Size	mm	350
Swath	cm	36
Weight (without battery pack)	kg	3.6

Noise values and vibration values (tri-ax vector sum) according to EN50636-2-91:2014

L _{PA} (emission sound pressure level)	dB(A)	79
K (uncertainty for the given sound level)	dB(A)	2.1
L _{WA} (sound power level)	dB(A)	93.5
K (uncertainty for the given sound level)	dB(A)	2.6
Vibration emission value a _h =	m/s ²	3.9
Uncertainty K =	m/s ²	1.5

The vibration and/or noise emission level given in this information sheet has been measured in accordance with a standardised test given in EN50636-2-91 and may be used to compare one tool with another. It may be used for a preliminary assessment of exposure.

WARNING: The declared vibration and/or noise emission level represents the main applications of the tool. However if the tool is used for different applications, with different accessories or poorly maintained, the vibration and/or noise emission may differ. This may significantly increase the exposure level over the total working period.

An estimation of the level of exposure to vibration and/or noise should also take into account the times when the tool is switched off or when it is running but not actually doing the job. This may significantly reduce the exposure level over the total working period.

Identify additional safety measures to protect the operator from the effects of vibration and/or noise such as: maintain the tool and the accessories, keep the hands warm (relevant for vibration), organisation of work patterns.

EC-Declaration of Conformity

Machinery Directive



String Trimmer DCMST561

DEWALT declares that these products described under **Technical Data** are in compliance with:

2006/42/EC, EN60335-1:2012 + A11:2014 + A13:2017 + A1:2019 + A14:2019 + A2:2019 EN50636-2-91:2014.

2000/14/EC, Lawn Trimmer, L ≤ 50 cm, Annex VI

DEKRA Certification B.V.

Meander 1051 / P.O. Box 5185

6825 MJ ARNHEM / 6802 ED ARNHEM, Netherlands

Notified Body ID No.: 0344

Level of acoustic power according to 2000/14/EC

(Article 12, Annex III, L ≤ 50 cm=):

L_{PA} (measured emission sound pressure) 79 dB(A)

uncertainty (K) = 2.1 dB(A)

L_{WA} (guaranteed sound power) 96 dB(A)

These products also comply with Directive 2014/30/EU and 2011/65/EU. For more information, please contact DEWALT at the following address or refer to the back of the manual.

The undersigned is responsible for compilation of the technical file and makes this declaration on behalf of DEWALT.

Markus Rompel
Vice-President Engineering, PTE-Europe
DEWALT, Richard-Klinger-Straße 11,
D-65510, Idstein, Germany
15.10.2020



WARNING: To reduce the risk of injury, read the instruction manual.

Definitions: Safety Guidelines

The definitions below describe the level of severity for each signal word. Please read the manual and pay attention to these symbols.



DANGER: Indicates an imminently hazardous situation which, if not avoided, **will** result in **death or serious injury**.



WARNING: Indicates a potentially hazardous situation which, if not avoided, **could** result in **death or serious injury**.

Batteries				Chargers/Charge Times (Minutes)							
Cat #	V _{DC}	Ah	Weight (kg)	DCB104	DCB107	DCB112	DCB113	DCB115	DCB118	DCB132	DCB119
DCB546	18/54	6.0/2.0	1.05	60	270	170	140	90	60	90	X
DCB547	18/54	9.0/3.0	1.46	75*	420	270	220	135*	75*	135*	X
DCB548	18/54	12.0/4.0	1.44	120	540	350	300	180	120	180	X
DCB181	18	1.5	0.35	22	70	45	35	22	22	22	45
DCB182	18	4.0	0.61	60/40**	185	120	100	60	60/40**	60	120
DCB183/B	18	2.0	0.40	30	90	60	50	30	30	30	60
DCB184/B	18	5.0	0.62	75/50**	240	150	120	75	75/50**	75	150
DCB185	18	1.3	0.35	22	60	40	30	22	22	22	X
DCB187	18	3.0	0.54	45	140	90	70	45	45	45	90
DCB189	18	4.0	0.54	60	185	120	100	60	60	60	120

*Date code 201811475B or later

**Date code 201536 or later



CAUTION: Indicates a potentially hazardous situation which, if not avoided, **may** result in **minor or moderate injury**.

NOTICE: Indicates a practice **not related to personal injury** which, if not avoided, **may** result in **property damage**.



Denotes risk of electric shock.



Denotes risk of fire.

Safety Instructions



WARNING: When using mains-powered appliances, basic safety precautions, including the following, should always be followed to reduce the risk of fire, electric shock, personal injury and material damage.



WARNING: When using the machine the safety rules must be followed. For your own safety and bystanders please read these instructions before operating the machine. Please keep the instructions safe for later use.

- Read all of this manual carefully before operating the appliance.
- The intended use is described in this manual. The use of any accessory or attachment or the performance of any operation with this appliance other than those recommended in this instruction manual may present a risk of personal injury.
- Retain this manual for future reference.

IMPORTANT

READ CAREFULLY BEFORE USE
KEEP FOR FUTURE REFERENCE

Safe Operating Practices

Training

- Read the instructions carefully. Be familiar with the controls and the correct use of the machine.

- Never allow children or people unfamiliar with these instructions to use the machine. Local regulations can restrict the age of the operator.
- Keep in mind that the operator or user is responsible for accidents or hazards occurring to other people or their property.

Preparation

- Before use, always visually inspect the machine for damaged, missing or misplaced guards or shields.
- Never operate the machine while people, especially children, or pets are nearby.

Operation

- Wear eye protection and stout shoes at all times while operating the machine.
- Avoid using the machine in bad weather conditions especially when there is a risk of lightning.
- Use the machine only in daylight or good artificial light.
- Never operate the machine with damaged guards or shields or without guards or shields in place.
- Switch on the motor only when the hands and feet are away from the cutting means.
- Do not overreach, keep your balance at all times, always be sure of your footing on slopes. Always walk, never run.
- Always disconnect the machine from the power supply (i.e. remove the plug from the mains, remove the disabling device or removable battery)
 - whenever the machine is left unattended;
 - before clearing a blockage;
 - before checking, cleaning or working on the machine;
 - after striking a foreign object;
 - whenever the machine starts vibrating abnormally.
- Take care against injury to feet and hands from the cutting means.

- i) **Always ensure that the ventilation openings are kept clear of debris.**

Maintenance and storage

- Disconnect the machine from the power supply (i.e. remove the plug from the mains, remove the disabling device or removable battery) before carrying out maintenance or cleaning work.**
- Use only the manufacturer's recommended replacement parts and accessories.**
- Inspect and maintain the machine regularly.** Have the machine repaired only by an authorized repairer.
- When not in use, store the machine out of the reach of children.**

Additional Safety Instructions for

Grass Trimmers

 **WARNING:** Cutting elements continue to rotate after the motor is switched off.

- **Wear long trousers to protect your legs.**
- **Before using the appliance, check that your cutting path is free from sticks, stones, wire and any other obstacles.**
- **Only use the appliance in the upright position, with the cutting line near the ground.** Never switch the appliance on in any other position.
- **Move slowly when using the appliance.** Be aware that freshly cut grass is damp and slippery.
- **Do not work on steep slopes.** Work across the face of slopes, not up and down.
- **Never cross gravel paths or roads while the appliance is running.**
- **Never touch the cutting line while the appliance is running.**
- **Do not put the appliance down until the cutting line has come to a complete stand still.**
- **Use only the appropriate type of cutting line.** Never use metal cutting line or fishing line.
- **Be careful not to touch the line trimming blade.**
- **Keep hands and feet away from the cutting line at all times, especially when switching on the motor.**
- **Before using the appliance and after any impact, check for signs of wear or damage and repair as necessary.**
- **Take care against injury from any device fitted for trimming the filament line length.** After extending new cutter line always return the machine to its normal operating position before switching on.
- **Close supervision is necessary when the appliance is used near children.**
- **This appliance is not intended for use by young or infirm persons without supervision.**
- **This appliance is not to be used as a toy.**
- **Use in a dry location only.** Do not allow the appliance to become wet.
- **Do not immerse the appliance in water.**
- **Do not open the body casing.** There are not user-serviceable parts inside

- **Do not operate the appliance in explosive atmospheres, such as in the presence of flammable liquids, gases or dust.**
- **When the appliance is stored or transported in a vehicle it should be placed in the boot or restrained to prevent movement following sudden changes in speed or direction.**
- **When not in use, the appliance should be stored in a dry, well ventilated place out of reach of children.**
- **Children should not have access to stored appliances.**

Safety of Others

- **This appliance is not intended for use by persons (including children) with reduced physical, sensory or mental capabilities, or lack of experience and knowledge, unless they have been given supervision or instruction concerning use of the appliance by a person responsible for their safety.**
- **Children must be supervised to ensure that they do not play with the appliance.**
- **When the appliance is stored or transported in a vehicle it should be placed in the boot or restrained to prevent movement following sudden changes in speed or direction.**
- **When not in use, the appliance should be stored in a dry, well ventilated place out of reach of children.**
- **Children should not have access to stored appliances.**

Residual Risks

In spite of the application of the relevant safety regulations and the implementation of safety devices, certain residual risks cannot be avoided. These are:

- *Impairment of hearing.*
- *Risk of personal injury due to flying particles.*
- *Risk of burns due to accessories becoming hot during operation.*
- *Risk of personal injury due to prolonged use.*

SAVE THESE INSTRUCTIONS

Chargers

DEWALT chargers require no adjustment and are designed to be as easy as possible to operate.

Electrical Safety

The electric motor has been designed for one voltage only. Always check that the battery pack voltage corresponds to the voltage on the rating plate. Also make sure that the voltage of your charger corresponds to that of your mains.



Your DEWALT charger is double insulated in accordance with EN60335; therefore no earth wire is required.

If the supply cord is damaged, it must be replaced by a specially prepared cord available through the DEWALT service organisation.

Mains Plug Replacement (U.K. & Ireland Only)

If a new mains plug needs to be fitted:

- Safely dispose of the old plug.
- Connect the brown lead to the live terminal in the plug.
- Connect the blue lead to the neutral terminal.



WARNING: No connection is to be made to the earth terminal.

Follow the fitting instructions supplied with good quality plugs. Recommended fuse: 3 A.

Using an Extension Cable

An extension cord should not be used unless absolutely necessary. Use an approved extension cable suitable for the power input of your charger (see **Technical Data**). The minimum conductor size is 1 mm²; the maximum length is 30 m.

When using a cable reel, always unwind the cable completely.

Important Safety Instructions for All Battery Chargers

SAVE THESE INSTRUCTIONS: This manual contains important safety and operating instructions for compatible battery chargers (refer to **Technical Data**).

- Before using charger, read all instructions and cautionary markings on charger, battery pack, and product using battery pack.



WARNING: Shock hazard. Do not allow any liquid to get inside charger. Electric shock may result.



WARNING: We recommend the use of a residual current device with a residual current rating of 30mA or less.



CAUTION: Burn hazard. To reduce the risk of injury, charge only DEWALT rechargeable batteries. Other types of batteries may burst causing personal injury and damage.



CAUTION: Children should be supervised to ensure that they do not play with the appliance.

NOTICE: Under certain conditions, with the charger plugged into the power supply, the exposed charging contacts inside the charger can be shorted by foreign material. Foreign materials of a conductive nature such as, but not limited to, steel wool, aluminum foil or any buildup of metallic particles should be kept away from charger cavities. Always unplug the charger from the power supply when there is no battery pack in the cavity. Unplug charger before attempting to clean

- **DO NOT attempt to charge the battery pack with any chargers other than the ones in this manual.** The charger and battery pack are specifically designed to work together.
- **These chargers are not intended for any uses other than charging DEWALT rechargeable batteries.** Any other uses may result in risk of fire, electric shock or electrocution.
- **Do not expose charger to rain or snow.**
- **Pull by plug rather than cord when disconnecting charger.** This will reduce risk of damage to electric plug and cord.

- **Make sure that cord is located so that it will not be stepped on, tripped over, or otherwise subjected to damage or stress.**
- **Do not use an extension cord unless it is absolutely necessary.** Use of improper extension cord could result in risk of fire, electric shock, or electrocution.
- **Do not place any object on top of charger or place the charger on a soft surface that might block the ventilation slots and result in excessive internal heat.** Place the charger in a position away from any heat source. The charger is ventilated through slots in the top and the bottom of the housing.
- **Do not operate charger with damaged cord or plug—** have them replaced immediately.
- **Do not operate charger if it has received a sharp blow, been dropped, or otherwise damaged in any way.** Take it to an authorised service centre.
- **Do not disassemble charger; take it to an authorised service centre when service or repair is required.** Incorrect reassembly may result in a risk of electric shock, electrocution or fire.
- **In case of damaged power supply cord the supply cord must be replaced immediately by the manufacturer, its service agent or similar qualified person to prevent any hazard.**
- **Disconnect the charger from the outlet before attempting any cleaning. This will reduce the risk of electric shock.** Removing the battery pack will not reduce this risk.
- **NEVER** attempt to connect two chargers together.
- **The charger is designed to operate on standard 230V household electrical power. Do not attempt to use it on any other voltage.** This does not apply to the vehicular charger.

Charging a Battery (Fig. B)

1. Plug the charger into an appropriate outlet before inserting battery pack.
2. Insert the battery pack **12** into the charger, making sure the battery pack is fully seated in the charger. The red (charging) light will blink repeatedly indicating that the charging process has started.
3. The completion of charge will be indicated by the red light remaining ON continuously. The battery pack is fully charged and may be used at this time or left in the charger. To remove the battery pack from the charger, push the battery release button **13** on the battery pack.

NOTE: To ensure maximum performance and life of lithium-ion battery packs, charge the battery pack fully before first use.

Charger Operation

Refer to the indicators below for the charge status of the battery pack.

Charge Indicators



*The red light will continue to blink, but a yellow indicator light will be illuminated during this operation. Once the battery pack has reached an appropriate temperature, the yellow light will turn off and the charger will resume the charging procedure.

The compatible charger(s) will not charge a faulty battery pack. The charger will indicate faulty battery by refusing to light.

NOTE: This could also mean a problem with a charger.

If the charger indicates a problem, take the charger and battery pack to be tested at an authorised service centre.

Hot/Cold Pack Delay

When the charger detects a battery pack that is too hot or too cold, it automatically starts a Hot/Cold Pack Delay, suspending charging until the battery pack has reached an appropriate temperature. The charger then automatically switches to the pack charging mode. This feature ensures maximum battery pack life.

A cold battery pack will charge at a slower rate than a warm battery pack. The battery pack will charge at that slower rate throughout the entire charging cycle and will not return to maximum charge rate even if the battery pack warms.

The DCB118 charger is equipped with an internal fan designed to cool the battery pack. The fan will turn on automatically when the battery pack needs to be cooled. Never operate the charger if the fan does not operate properly or if ventilation slots are blocked. Do not permit foreign objects to enter the interior of the charger.

Electronic Protection System

XR Li-Ion tools are designed with an Electronic Protection System that will protect the battery pack against overloading, overheating or deep discharge.

The tool will automatically turn off if the Electronic Protection System engages. If this occurs, place the lithium-ion battery pack on the charger until it is fully charged.

Wall Mounting

These chargers are designed to be wall mountable or to sit upright on a table or work surface. If wall mounting, locate the charger within reach of an electrical outlet, and away from a corner or other obstructions which may impede air flow. Use the back of the charger as a template for the location of the mounting screws on the wall. Mount the charger securely using drywall screws (purchased separately) at least 25.4 mm long with a screw head diameter of 7–9 mm, screwed into wood to an optimal depth leaving approximately 5.5 mm of the screw exposed. Align the slots on the back of the charger with the exposed screws and fully engage them in the slots.

Charger Cleaning Instructions



WARNING: Shock hazard. Disconnect the charger from the AC outlet before cleaning. Dirt and grease may be removed from the exterior of the charger using a cloth or soft non-metallic brush. Do not use water or any cleaning solutions. Never let any liquid get inside the tool; never immerse any part of the tool into a liquid.

Battery Packs

Important Safety Instructions for All Battery Packs

When ordering replacement battery packs, be sure to include catalogue number and voltage.

The battery pack is not fully charged out of the carton. Before using the battery pack and charger, read the safety instructions below. Then follow charging procedures outlined.

READ ALL INSTRUCTIONS

- **Do not charge or use battery in explosive atmospheres, such as in the presence of flammable liquids, gases or dust.** Inserting or removing the battery from the charger may ignite the dust or fumes.
- **Never force battery pack into charger. Do not modify battery pack in any way to fit into a non-compatible charger as battery pack may rupture causing serious personal injury.**
- Charge the battery packs only in DEWALT chargers.
- **DO NOT splash or immerse in water or other liquids.**
- **Do not store or use the tool and battery pack in locations where the temperature may fall below 4 °C (34 °F) (such as outside sheds or metal buildings in winter), or reach or exceed 40 °C (104 °F) (such as outside sheds or metal buildings in summer).**
- **Do not incinerate the battery pack even if it is severely damaged or is completely worn out.** The battery pack can explode in a fire. Toxic fumes and materials are created when lithium-ion battery packs are burned.
- **If battery contents come into contact with the skin, immediately wash area with mild soap and water.** If battery liquid gets into the eye, rinse water over the open eye for 15 minutes or until irritation ceases. If medical attention is needed, the battery electrolyte is composed of a mixture of liquid organic carbonates and lithium salts.
- **Contents of opened battery cells may cause respiratory irritation.** Provide fresh air. If symptoms persists, seek medical attention.



WARNING: Burn hazard. Battery liquid may be flammable if exposed to spark or flame.



WARNING: Never attempt to open the battery pack for any reason. If battery pack case is cracked or damaged, do not insert into charger. Do not crush, drop or damage battery pack. Do not use a battery pack or charger that has received a sharp blow, been dropped, run over or damaged in any way (i.e., pierced with a nail, hit with a hammer, stepped on). Electric shock or electrocution

may result. Damaged battery packs should be returned to service centre for recycling.



WARNING: Fire hazard. Do not store or carry the battery pack so that metal objects can contact exposed battery terminals. For example, do not place the battery pack in aprons, pockets, tool boxes, product kit boxes, drawers, etc., with loose nails, screws, keys, etc.



CAUTION: When not in use, place tool on its side on a stable surface where it will not cause a tripping or falling hazard. Some tools with large battery packs will stand upright on the battery pack but may be easily knocked over.

Transportation



WARNING: Fire hazard. Transporting batteries can possibly cause fire if the battery terminals inadvertently come in contact with conductive materials. When transporting batteries, make sure that the battery terminals are protected and well insulated from materials that could contact them and cause a short circuit. **NOTE:** Lithium-ion batteries should not be put in checked baggage.

DEWALT batteries comply with all applicable shipping regulations as prescribed by industry and legal standards which include UN Recommendations on the Transport of Dangerous Goods; International Air Transport Association (IATA) Dangerous Goods Regulations, International Maritime Dangerous Goods (IMDG) Regulations, and the European Agreement Concerning The International Carriage of Dangerous Goods by Road (ADR). Lithium-ion cells and batteries have been tested to section 38.3 of the UN Recommendations on the Transport of Dangerous Goods Manual of Tests and Criteria.

In most instances, shipping a DEWALT battery pack will be excepted from being classified as a fully regulated Class 9 Hazardous Material. In general, only shipments containing a lithium-ion battery with an energy rating greater than 100 Watt Hours (Wh) will require being shipped as fully regulated Class 9. All lithium-ion batteries have the Watt Hour rating marked on the pack. Furthermore, due to regulation complexities, DEWALT does not recommend air shipping lithium-ion battery packs alone regardless of Watt Hour rating. Shipments of tools with batteries (combo kits) can be air shipped as excepted if the Watt Hour rating of the battery pack is no greater than 100 Whr.

Regardless of whether a shipment is considered excepted or fully regulated, it is the shipper's responsibility to consult the latest regulations for packaging, labeling/marketing and documentation requirements.

The information provided in this section of the manual is provided in good faith and believed to be accurate at the time the document was created. However, no warranty, expressed or implied, is given. It is the buyer's responsibility to ensure that its activities comply with the applicable regulations.

Transporting the FLEXVOLT™ Battery

The DEWALT FLEXVOLT™ battery has two modes: **Use** and **Transport**.

Use Mode: When the FLEXVOLT™ battery stands alone or is in a DEWALT 18V product, it will operate as an 18V battery. When

the FLEXVOLT™ battery is in a 54V or a 108V (two 54V batteries) product, it will operate as a 54V battery.

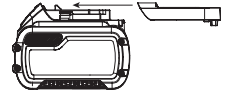
Transport Mode: When the cap is attached to the FLEXVOLT™ battery, the battery is in Transport mode. Keep the cap for shipping.

When in Transport mode, strings of cells are electrically disconnected within the pack resulting in 3 batteries with a lower Watt hour (Wh) rating as compared to 1 battery with a higher Watt hour rating. This increased quantity of 3 batteries with the lower Watt hour rating can exempt the pack from certain shipping regulations that are imposed upon the higher Watt hour batteries.

For example, the Transport

Wh rating might indicate 3 x 36 Wh, meaning 3 batteries of 36 Wh each.

The Use Wh rating might indicate 108 Wh (1 battery implied).



Storage Recommendations

1. The best storage place is one that is cool and dry away from direct sunlight and excess heat or cold. For optimum battery performance and life, store battery packs at room temperature when not in use.
2. For long storage, it is recommended to store a fully charged battery pack in a cool, dry place out of the charger for optimal results.

NOTE: Battery packs should not be stored completely depleted of charge. The battery pack will need to be recharged before use.

Labels on Charger and Battery Pack

In addition to the pictographs used in this manual, the labels on the charger and the battery pack may show the following pictographs:



Read instruction manual before use.



See **Technical Data** for charging time.



Do not probe with conductive objects.



Do not charge damaged battery packs.



Do not expose to water.



Have defective cords replaced immediately.



Charge only between 4 °C and 40 °C.



Only for indoor use.



Discard the battery pack with due care for the environment.



Charge DeWALT battery packs only with designated DeWALT chargers. Charging battery packs other than the designated DeWALT batteries with a DeWALT charger may make them burst or lead to other dangerous situations.



Do not incinerate the battery pack.



USE (without transport cap). Example: Wh rating indicates 108 Wh (1 battery with 108 Wh).



TRANSPORT (with built-in transport cap). Example: Wh rating indicates 3 x 36 Wh (3 batteries of 36 Wh).

Battery Type

The DCMST561 operates on a 18 volt battery pack.

These battery packs may be used: DCB181, DCB182, DCB183, DCB183B, DCB184, DCB184B, DCB185, DCB187, DCB189, DCB546, DCB547, DCB548. Refer to **Technical Data** for more information.

Package Contents

The package contains:

- 1 String trimmer
- 1 Battery (DCB184-XJ)
- 1 Charger (DCB118-XJ)
- 1 Instruction manual

NOTE: Battery packs, chargers and kitboxes are not included with N models. Battery packs and chargers are not included with NT models. B models include Bluetooth® battery packs.

NOTE: The Bluetooth® word mark and logos are registered trademarks owned by the Bluetooth®, SIG, Inc. and any use of such marks by DeWALT is under license. Other trademarks and trade names are those of their respective owners.

- Check for damage to the tool, parts or accessories which may have occurred during transport.
- Take the time to thoroughly read and understand this manual prior to operation.

Markings on Tool

The following pictograms are shown on the tool:



Read instruction manual before use.



Wear eye protection.



Wear ear protection.



Do not expose the tool to rain or high humidity or leave outdoors while it is raining.



Switch the tool off. Before performing any maintenance on the tool, remove the battery from the tool.



Keep bystanders away.



Directive 2000/14/EC guaranteed sound power.

Date Code Position (Fig. A)

The date code **18**, which also includes the year of manufacture, is printed into the housing.

Example:

2019 XX XX

Year of Manufacture

Description (Fig. A)



WARNING: Never modify the power tool or any part of it. Damage or personal injury could result.

- | | |
|--------------------------|---------------------------|
| 1 Variable speed trigger | 10 Spool housing |
| 2 Lock-off button | 11 Battery housing |
| 3 Speed control switch | 12 Battery pack |
| 4 Auxiliary handle | 13 Battery release button |
| 5 Motor housing | 14 Handle |
| 6 Locking lever | 15 Upper pole |
| 7 Pole latch | 16 Lower pole |
| 8 Pole clasp | 17 Lower pole clamp |
| 9 Guard | |

Intended Use

This string trimmer is designed for professional trimming applications. This product is not an edger and is not intended to be used for edging.

DO NOT use under wet conditions or in the presence of flammable liquids or gases.

DO NOT let children come into contact with the tool. Supervision is required when inexperienced operators use this tool.

- **Young children and the infirm.** This appliance is not intended for use by young children or infirm persons without supervision.
- This product is not intended for use by persons (including children) suffering from diminished physical, sensory or mental abilities; lack of experience, knowledge or skills unless they are supervised by a person responsible for their safety. Children should never be left alone with this product.

ASSEMBLY AND ADJUSTMENTS



WARNING: To reduce the risk of serious personal injury, turn tool off and disconnect battery pack before making any adjustments or removing/ installing attachments or accessories. An accidental start-up can cause injury.



WARNING: Use only DEWALT battery packs and chargers.

Inserting and Removing the Battery Pack from the Tool (Fig. B)

NOTE: Make sure your battery pack **12** is fully charged.

To Install the Battery Pack into the Tool Handle

1. Align the battery pack **12** with the rails inside the tool's handle (Fig. B).
2. Slide it into the handle until the battery pack is firmly seated in the tool and ensure that you hear the lock snap into place.

To Remove the Battery Pack from the Tool

1. Press the release button **13** and firmly pull the battery pack out of the tool handle.
2. Insert battery pack into the charger as described in the charger section of this manual.

Fuel Gauge Battery Packs (Fig. B)

Some DEWALT battery packs include a fuel gauge which consists of three green LED lights that indicate the level of charge remaining in the battery pack.

To actuate the fuel gauge, press and hold the fuel gauge button **35**. A combination of the three green LED lights will illuminate designating the level of charge left. When the level of charge in the battery is below the usable limit, the fuel gauge will not illuminate and the battery will need to be recharged.

NOTE: The fuel gauge is only an indication of the charge left on the battery pack. It does not indicate tool functionality and is subject to variation based on product components, temperature and end-user application.

Extending and Folding the Pole (Fig. A, C, P)



WARNING: To reduce the risk of injury, do not operate the unit while folded. The unit must be fully extended and the pole clasp secured before the battery is inserted. Remove battery before folding the unit. Fold unit completely until it locks in place.

1. To lock pole into straight use position, first ensure battery has been removed. Then flip up the locking lever **6** rotate pole latch **7** forward and place the pole clasp **8** over the clasp catch **20**. Rotate the pole latch **7** backwards until it locks securely into position. Check the locking lever to make sure it is properly locked in place.
2. To fold the pole for storage or transportation, first ensure battery has been removed. Then flip up the locking lever **6**, rotate pole latch **7** forward and lift the pole clasp **8** up and over the clasp catch **20**. Fold the pole completely until the guard **9** securely locks into place over the rear of the battery housing **11**.

Attaching the Auxiliary Handle (Fig. A, D)

1. Place the auxiliary handle **4** on top of the handle base **23** so the upper trimmer pole **15** is between them.
2. Hold the auxiliary handle in place and slide the handle bolts **24** into the handle from the top, threading them into the handle base.
3. Tighten the handle bolts with the supplied hex wrench . Ensure the handle is securely attached.

Attaching Guard (Fig. E, F)



WARNING: Never remove the guard. Damage or personal injury could result.



WARNING: NEVER OPERATE appliance WITHOUT GUARD FIRMLY IN PLACE. The guard must always be properly attached on the appliance to protect the user.

1. Assemble the guard **9** to the motor housing **5**.
2. Using a crosshead screwdriver, insert the four guard screws **21** and tighten securely.

OPERATION

Instructions for Use



WARNING: Always observe the safety instructions and applicable regulations.



WARNING: To reduce the risk of serious personal injury, turn tool off and disconnect battery pack before making any adjustments or removing/ installing attachments or accessories. An accidental start-up can cause injury.

Proper Hand Position (Fig. G)



WARNING: To reduce the risk of serious personal injury, ALWAYS use proper hand position as shown.



WARNING: To reduce the risk of serious personal injury, ALWAYS hold securely in anticipation of a sudden reaction.

Proper hand position requires one hand on the main handle **14** and one hand on the auxiliary handle **4**.

Switching Trimmer On and Off (Fig. A)

To turn the appliance on, squeeze the lock-off button **2** and then the variable speed trigger **1**. To turn the appliance off, release the variable speed trigger and the lock-off button.



WARNING: Never attempt to lock the trigger in the on position.

Speed Control Switch (Fig. A)

This string trimmer gives you the choice to operate at a more efficient speed to extend the runtime for larger jobs, or accelerate the trimmer speed for high-performance cutting.

To extend runtime, push the speed control switch **3** forward toward the auxiliary handle **4** into the "LO" position. This mode is best for larger projects that require more time to complete.

To accelerate the trimmer, pull the speed control switch back toward the battery housing **11** into the "HI" position. This mode

is best to cut through heavier growth and for applications that need higher RPM.

NOTE: When in "HI" mode, runtime will be decreased as compared to when trimmer is in "LO" mode.

Trimming (Fig. H, I)

Maintain a minimum distance of 610 mm between the guard and your feet as shown in Figure H.

With the trimmer on, angle it and swing side to side as shown in Figure I.



WARNING: *Keep the rotating string roughly parallel with the ground (tilted no more than 30 degrees). This trimmer is not an edger. DO NOT TILT the trimmer so that the string is spinning near a right angle to the ground. Flying debris can cause serious injury.*

Bump Feed Trimmer Line Feed

Your trimmer uses 2.0 mm diameter nylon line. Cutting line will wear faster and require more feeding if the cutting is done along sidewalks or other abrasive surfaces or heavier weeds are being cut.

As you use the trimmer, the string will get shorter due to wear. Gently bump the trimmer on the ground while running at normal speed and the line will feed.

NOTE: Extending nylon line beyond the 350 mm swath will negatively affect performance, runtime, and the life of the trimmer due to potential of damaging motor. Doing so may void the warranty.

Helpful Cutting Tips

- Use the tip of the string to do the cutting; do not force string head into uncut grass.
- Wire and picket fences cause extra string wear, even breakage. Stone and brick walls, curbs, and wood may wear string rapidly.
- Do not allow spool cap to drag on ground or other surfaces.
- In long growth, cut from the top down and do not exceed 300 mm high.
- Keep trimmer tilted toward the area being cut; this is the best cutting area.
- The trimmer cuts when passing the unit from the left to right. This will avoid throwing debris at the operator.
- Avoid trees and shrubs. Tree bark, wood moldings, siding, and fence posts can easily be damaged by the string.

MAINTENANCE

Your DEWALT power tool has been designed to operate over a long period of time with a minimum of maintenance. Continuous satisfactory operation depends upon proper tool care and regular cleaning.



WARNING: *To reduce the risk of serious personal injury, turn appliance off and remove battery before making any adjustments or removing/installing attachments or accessories. An accidental start-up can cause injury.*

The charger and battery pack are not serviceable

Maintenance Treatments (Fig. J)

- Keep the air intake slots **30** clean to avoid overheating (Fig. J).
- Your trimmer line can dry out over time. To keep your line in top condition, store spare line in a plastic, sealable bag with a tablespoon of water.
- Plastic parts may be cleaned by using a mild soap and a damp rag.
- The line cutter on the edge of the guard can dull over time. It is recommended you periodically touch-up the sharpness of the blade with a file. The line cutter on the edge of the guard can dull over time. It is recommended you periodically touch-up the sharpness of the blade with a file.



Lubrication

Your power tool requires no additional lubrication.



Cleaning



WARNING: *Blow dirt and dust out of the main housing with dry air as often as dirt is seen collecting in and around the air vents. Wear approved eye protection and approved dust mask when performing this procedure.*



WARNING: *Never use solvents or other harsh chemicals for cleaning the non-metallic parts of the tool. These chemicals may weaken the materials used in these parts. Use a cloth dampened only with water and mild soap. Never let any liquid get inside the tool; never immerse any part of the tool into a liquid.*

Optional Accessories



WARNING: *Since accessories, other than those offered by DEWALT, have not been tested with this product, use of such accessories with this tool could be hazardous. To reduce the risk of injury, only DEWALT recommended accessories should be used with this product.*

Consult your dealer for further information on the appropriate accessories.



WARNING: *To reduce the risk of serious personal injury, turn appliance off and remove battery before making any adjustments or removing/installing attachments or accessories.*



WARNING: *The use of any accessory not recommended by DEWALT for use with this appliance could be hazardous.*



WARNING: *Do not use any blades, or any accessory or attachment other than those recommended by DEWALT on this trimmer. Serious injury or product damage may result.*

Use DEWALT replacement line Model No. DWO1DT801 or DWO1DT802.

When replacing the line, use only 2.0 mm diameter line (Model No. DT20650 & DT20651 are recommended). Other sizes may degrade performance or cause damage to the trimmer.

Reloading the Cutting Line (Fig. K–M)



WARNING: To reduce the risk of serious personal injury, turn unit off and remove the battery pack before making any adjustments or removing/installing attachments or accessories, when replacing line, or prior to cleaning. An accidental start-up can cause injury.



CAUTION: Use only DEWALT replacement spools and line. Using any other manufacturer's line can reduce performance, damage the trimmer or cause personal injury. Your trimmer uses 2.0 mm diameter line that is spiral-shaped with smooth round edges. Do not use other size lines. This can degrade performance, cause damage to the unit or injury.



CAUTION: To avoid appliance damage, if the cutting line protrudes beyond the trimming blade, cut it off so that it just reaches the blade.

Use only DEWALT replacement line.

1. Remove battery.
2. Cut a max of 6 m length of of 2.0 mm trimmer line.
3. Align spool housing eyelets **26** with the arrow **27** on the spool grip cover **29** as shown in Figure K.
4. Thread one end of the trimmer line through an eyelet. Guide the line through to the second eyelet and continue to pull the line through until there are equal lengths of string on each side of the spool housing as shown in Figure L.
5. Secure the spool cap from moving with one hand. Using your other hand, wind the string onto the spool by rotating the spool grip cover counterclockwise. Continue winding until 130 mm of string remain on each side of the spool housing.

Replacing Spool Assembly (Fig. A, N)

1. Rotate the spool housing **10** until the hole **31** in the spindle plate aligns with notch **32** in the motor housing. Insert a screwdriver through the notch and into the hole, to prevent the spindle from turning.
2. Unscrew and remove the spool housing by turning the spool grip cover **29** clockwise.
NOTE: Do not try to remove the spool housing by turning the spool housing **10**.
3. Remove spindle plate **34** before installing a new spool. Remove any dirt and grass from the motor housing and spindle plate.
4. Install spindle plate **34** onto the spindle **33**, so the double D shaped retaining nut on the spindle sits inside the base of the spindle plate.
5. Align the spindle plate hole and notch, insert a screwdriver back into the hole and thread the new spool housing

counterclockwise. Securely tighten the new spool housing onto the spindle **33**.

Replacing Guard (Fig. O)



WARNING: Never operate appliance without guard firmly in place.

1. Remove the four guard screws **21**.
2. Attach the new guard as described in the **Attaching Guard** section.

Folding for Storage or Transportation (Fig. P)

The string trimmer can be folded for storage or transportation. To put the string trimmer in the folded position, please refer to **Extending and Folding the Pole**.

Protecting the Environment



Separate collection. Products and batteries marked with this symbol must not be disposed of with normal household waste.



Products and batteries contain materials that can be recovered or recycled reducing the demand for raw materials. Please recycle electrical products and batteries according to local provisions. Further information is available at www.2helpU.com.

Rechargeable Battery Pack

This long life battery pack must be recharged when it fails to produce sufficient power on jobs which were easily done before. At the end of its technical life, discard it with due care for our environment:

- Run the battery pack down completely, then remove it from the tool.
- Li-Ion cells are recyclable. Take them to your dealer or a local recycling station. The collected battery packs will be recycled or disposed of properly.

ТРИММЕР

DCMST561

Поздравляем!

Вы приобрели инструмент DeWALT. Многолетний опыт, тщательная разработка изделий и инновации делают компанию DeWALT одним из самых надёжных партнеров для пользователей профессионального электроинструмента.

Технические характеристики

		DCMST561
Напряжение	$V_{\text{пост. тока}}$	18
Великобритания и Ирландия	$V_{\text{пост. тока}}$	18
Тип		2
Тип батареи		Ионно-литиевая
Выходная мощность	Вт	400
об./мин.		0–4600/ 0–6000
Ширина скашивания	мм	350
Ширина	см	36
Вес (без аккумуляторной батареи)	кг	3,6
Значения шума и вибрации (сумма векторов в трех плоскостях) в соответствии с EN50636-2-91:2014		
L_{PA} (уровень звукового давления)	дБ(А)	79
K (погрешность для заданного уровня мощности)	дБ(А)	2,1
L_{WA} (уровень акустической мощности)	дБ(А)	93,5
K (погрешность для заданного уровня мощности)	дБ(А)	2,6
Значение вибрационного воздействия $a_H =$		
	м/с ²	3,9
Погрешность K =		
	м/с ²	1,5

Значение воздействия шума и/или вибрации, указанное в данном справочном листке, было получено в соответствии со стандартным тестом, приведенным в EN50636-2-91, и может использоваться для сравнения инструментов. Кроме того, оно может использоваться для предварительной оценки воздействия вибрации.



ВНИМАНИЕ: Заявленное значение воздействия шума и/или вибрации относится к основным областям применения инструмента. Однако, если инструмент используется для различных целей, с различными дополнительными принадлежностями или при ненадлежащем уходе, то уровень шума и/или вибрации может измениться. Это может привести к значительному увеличению уровня воздействия вибрации в течение всего рабочего периода.

При расчете приблизительного значения уровня воздействия шума и/или вибрации также необходимо учитывать время, когда инструмент выключен или то время, когда он работает на холостом ходу. Это может привести к

значительному снижению уровня воздействия вибрации в течение всего рабочего периода.

Определите дополнительные меры техники безопасности для защиты оператора от воздействия шума и/или вибрации, а именно: поддержание инструмента и дополнительных принадлежностей в рабочем состоянии, создание комфортных условий работы (соответствующих вибрации), хорошая организация рабочего места.

Декларация о соответствии нормам ЕС Директива по механическому оборудованию



Триммер DCMST561

DeWALT заявляет, что продукция, описанная в разделе «Технические характеристики», соответствует: 2006/42/EC, EN60335-1:2012 + A11:2014 + A13:2017 + A1:2019 + A14:2019 + A2:2019 EN50636-2-91:2014.

2000/14/EC, Газонокосилка, $D \leq 50$ см, Приложение VI DEKRA Certification B.V.

Meander 1051 / P.O. Box 5185

6825 MJ ARNHEM/6802 ED ARNHEM, Нидерланды

Идентификационный № уведомленного органа: 0344

Уровень акустической мощности в соответствии с директивой 2000/14/EC

(Статья 12, Приложение III, $D \leq 50$ см :

L_{PA} (измеренный уровень звукового давления) 79 дБ(А)
погрешность (K) = 2,1 дБ(А)

L_{WA} (гарантированная акустическая мощность) 96 дБ(А)

Эти продукты также соответствуют Директивам 2014/30/EU и 2011/65/EU. За дополнительной информацией обращайтесь в компанию DeWALT по адресу, указанному ниже или приведенному на задней стороне обложки руководства.

Нижеподписавшийся несет ответственность за составление технической документации и составил данную декларацию по поручению компании DeWALT.

Маркус Ромпель

Вице-президент отдела по разработке и производству, PTE-Europe

DeWALT, Richard-Klinger-Straße 11,

D-65510, Idstein, Германия

15.10.2020

Аккумуляторные батареи				Зарядные устройства/время зарядки (мин)								
Кат. №	V _{пост. тока}	Ah	Вес (kg)	DCB104	DCB107	DCB112	DCB113	DCB115	DCB118	DCB132	DCB119	
DCB546	18/54	6.0/2.0	1.05	60	270	170	140	90	60	90	X	
DCB547	18/54	9.0/3.0	1.46	75*	420	270	220	135*	75*	135*	X	
DCB548	18/54	12.0/4.0	1.44	120	540	350	300	180	120	180	X	
DCB181	18	1.5	0.35	22	70	45	35	22	22	22	45	
DCB182	18	4.0	0.61	60/40**	185	120	100	60	60/40**	60	120	
DCB183/B	18	2.0	0.40	30	90	60	50	30	30	30	60	
DCB184/B	18	5.0	0.62	75/50**	240	150	120	75	75/50**	75	150	
DCB185	18	1.3	0.35	22	60	40	30	22	22	22	X	
DCB187	18	3.0	0.54	45	140	90	70	45	45	45	90	
DCB189	18	4.0	0.54	60	185	120	100	60	60	60	120	

*Код даты 201811475B или новее

**Код даты 201536 или новее



ВНИМАНИЕ: Во избежание риска получения травм ознакомьтесь с инструкцией.

Обозначения: правила техники безопасности

Ниже описывается уровень опасности, обозначаемый каждым из предупреждений. Прочитайте руководство и обратите внимание на данные символы.



ОПАСНО: Обозначает опасную ситуацию, которая неизбежно приведет к серьезной травме или смертельному исходу, в случае несоблюдения соответствующих мер безопасности.



ВНИМАНИЕ: Указывает на потенциально опасную ситуацию, которая, в случае несоблюдения соответствующих мер безопасности, может привести к серьезной травме или смертельному исходу.



ПРЕДУПРЕЖДЕНИЕ: Указывает на потенциально опасную ситуацию, которая, в случае несоблюдения соответствующих мер безопасности может стать причиной травм **средней или легкой степени тяжести**.

ПОЯСНЕНИЕ: Указывает на практики, использование которых не связано с получением травмы, но если ими пренебречь, могут привести к порче имущества.



Указывает на риск поражения электрическим током.



Указывает на риск возгорания.

Правила техники безопасности



ВНИМАНИЕ: Для снижения риска возникновения пожара, поражения электрическим током, получения травм и материального ущерба при использовании инструмент с питанием от сети нужно обязательно соблюдать основные меры предосторожности, включая следующее.



ВНИМАНИЕ: При использовании инструмента обязательно соблюдайте правила техники безопасности. Для Вашей собственной безопасности и безопасности окружающих прочитайте данное руководство, прежде чем приступить к работе с инструментом. Сохраните руководство для дальнейшего использования.

- Прежде чем приступить к работе с инструментом, внимательно прочитайте настоящее руководство.
- В данном руководстве описано предусмотренное применение. Использование каких-либо принадлежностей или насадок, а также выполнение каких-либо операций, отличных от рекомендованных в данном руководстве, может привести к травмам.
- Сохраните данное руководство для справки в будущем.

ВАЖНО ВНИМАТЕЛЬНО ПРОЧИТАЙТЕ ПЕРЕД ИСПОЛЬЗОВАНИЕМ СОХРАНИТЕ ДЛЯ ИСПОЛЬЗОВАНИЯ В БУДУЩЕМ

Правила безопасной эксплуатации

Обучение

- Внимательно прочитайте инструкции.** Ознакомьтесь со средствами управления и правильным использованием инструмента.
- Не позволяйте детям или лицам, незнакомым с данными инструкциями, использовать инструмент.** Местные нормы могут налагать ограничения на возраст оператора.
- Учитывайте, что оператор или пользователь несет ответственность за несчастные случаи или опасности, создаваемые другим лицам или их собственности.**

Подготовка к эксплуатации

- a) *Перед использованием всегда проверяйте инструмент визуально на предмет поврежденных, отсутствующих или утеранных кожухов или щитков.*
- b) *Не используйте инструмент, если рядом присутствуют посторонние, особенно дети, или домашние животные.*

Эксплуатация

- a) *Всегда надевайте защитные очки и обувь на толстой подошве при использовании инструмента.*
- b) *Избегайте работы с инструментом в плохих погодных условиях, особенно при риске удара молнии.*
- c) *Используйте инструмент только днем или при хорошем искусственном освещении.*
- d) *Не используйте инструмент с поврежденным кожухами и щитками или без кожухов и щитков.*
- e) *Включайте электродвигатель только когда руки и ноги находятся на безопасном расстоянии от режущих частей.*
- f) *Не пытайтесь дотянуться до удаленных поверхностей и всегда сохраняйте устойчивое положение, особенно на уклонах. Ходите пешком, не бегите.*
- g) *Всегда отсоединяйте инструмент от источника питания (например, вынимайте вилку из розетки, вынимайте предохранительное устройство или съемную аккумуляторную батарею)*
 - *когда инструмент остается без присмотра;*
 - *перед удалением засорения;*
 - *перед проверкой, чисткой или обслуживанием инструмента;*
 - *после удара об инородный предмет;*
 - *при наличии ненормальных вибраций в инструменте.*
- h) *Остерегайтесь травмирования рук и ног режущими частями.*
- i) *Всегда удостоверьтесь, что вентиляционные отверстия чисты от загрязнений.*

Обслуживание и хранение

- a) *Отсоединяйте инструмент от источника питания (например, вынимайте вилку из розетки, вынимайте предохранительное устройство или съемную аккумуляторную батарею) перед выполнением технического обслуживания или чисткой.*
- b) *Используйте только рекомендованные производителем запасные части и дополнительные принадлежности.*

- c) *Регулярно проверяйте и выполняйте обслуживание инструмента. Ремонт инструмента должен производиться авторизованным специалистом по ремонту.*
- d) *Когда инструмент не используется, храните в недоступном для детей месте.*

Дополнительные меры безопасности при работе с триммерами



ВНИМАНИЕ: Режущие части продолжают вращаться после выключения электродвигателя.

- *Надевайте длинные брюки, чтобы защитить ноги.*
- *Перед использованием инструмента убедитесь, что в области под скос нет палок, камней, проволоки и других препятствий.*
- *Используйте инструмент только в вертикальном положении, режущей леской к земле. Не включайте инструмент в каком-либо другом положении.*
- *При использовании инструмента передвигайтесь медленно. Помните, что свежескошенная трава может быть влажной и скользкой.*
- *Не работайте на крутых уклонах. Работайте по поверхности уклона, а не вверх и вниз.*
- *Не пересекайте гравийные дорожки или дороги с работающим инструментом.*
- *Не прикасайтесь к режущей леске включенного инструмента.*
- *Не ставьте инструмент на землю до тех пор, пока режущая леска не остановится полностью.*
- *Используйте только режущую леску соответствующего типа. Не используйте металлическую режущую леску или рыболовную леску.*
- *Соблюдайте осторожность, не касайтесь лезвия для обрезания лески.*
- *Всегда держите руки и ноги на безопасном расстоянии от режущей лески, особенно при включении электродвигателя.*
- *Проверяйте инструмент на предмет повреждений перед каждым использованием и после каждого столкновения и выполняйте ремонт по необходимости.*
- *Будьте осторожны, чтобы не получить травм от какого-либо из инструментов для обрезки лески. После выдвигания новой режущей лески всегда возвращайте инструмент в нормальное рабочее положение перед тем, как его включить.*
- *При работе рядом с детьми необходимо особое внимание.*
- *Данный инструмент не предназначен для использования несовершеннолетними или лицами с ограниченными возможностями, если они не находятся под присмотром.*
- *Инструмент не предназначен для игр.*
- *Использовать только в сухом месте. Не допускайте попадания влаги в инструмент.*
- *Не погружайте инструмент в воду.*

- *Запрещается вскрывать корпус. Внутри инструмента нет деталей, обслуживаемых пользователем*
- *Не используйте инструмент во взрывоопасной среде, например, при наличии горючих жидкостей, газов или пыли.*
- *Если инструмент хранится или транспортируется в транспортном средстве, его нужно поместить в багажник или закрепить во избежание перемещения в результате резкого изменения скорости или направления движения.*
- *Если инструмент не используется, его нужно хранить в сухом, хорошо вентилируемом помещении, недоступном для детей.*
- *Дети не должны иметь доступа к помещенным на хранение инструментам.*

Безопасность окружающих

- *Данный инструмент не предназначен для использования лицами (включая детей) с ограниченными физическими, сенсорными или ментальными возможностями, а также лицами без достаточного опыта и знаний, если только они не делают этого под руководством лица имеющего соответствующий опыт и отвечающего за их безопасность.*
- *Не позволяйте детям играть с данным инструментом.*
- *Если инструмент хранится или транспортируется в транспортном средстве, его нужно поместить в багажник или закрепить во избежание перемещения в результате резкого изменения скорости или направления движения.*
- *Если инструмент не используется, его нужно хранить в сухом, хорошо вентилируемом помещении, недоступном для детей.*
- *Дети не должны иметь доступа к помещенным на хранение инструментам.*

Зарядные устройства

Зарядные устройства не требуют регулировки и максимально просты в использовании.

Электробезопасность

Электродвигатель рассчитан на работу только при одном напряжении сети. Необходимо обязательно убедиться в том, что напряжение источника питания соответствует указанному на шильдике устройства. Необходимо также убедиться в том, что напряжение работы зарядного устройства соответствует напряжению в сети.



Зарядное устройство оснащено двойной изоляцией в соответствии с требованиями EN60335; поэтому провод заземления не требуется.

В случае повреждения кабеля питания его необходимо заменить специально подготовленным кабелем, который можно приобрести в сервисных центрах.

Использование удлинительного кабеля

Используйте удлинитель только в случаях крайней необходимости. Используйте только утвержденные удлинители промышленного изготовления, рассчитанные на мощность не меньшую, чем потребляемая мощность зарядного устройства (см. *Технические характеристики*). Минимальное поперечное сечение провода электрического кабеля должно составлять 1 мм²; максимальная длина 30 м. При использовании кабельного барабана всегда полностью разматывайте кабель.

Важные инструкции по технике безопасности для всех зарядных устройств

СОХРАНИТЕ НАСТОЯЩЕЕ РУКОВОДСТВО. В данном руководстве содержатся важные инструкции по технике безопасности для совместимых зарядных устройств (см. *Технические характеристики*).

- *Перед тем как использовать зарядное устройство, внимательно изучите все инструкции и предупреждающие этикетки на зарядном устройстве, батарее и инструменте, для которого используется батарея.*



ВНИМАНИЕ: Опасность поражения электрическим током. Не допускайте попадания жидкости в зарядное устройство. Это может привести к поражению электрическим током.



ВНИМАНИЕ: Рекомендуется использовать устройство защитного отключения (УЗО) с током утечки до 30 мА.



ВНИМАНИЕ: Опасность ожога. Во избежание травм, следует использовать только аккумуляторные батареи производства. Использование батарей другого типа может привести к взрыву, травмам и повреждению.



ПРЕДУПРЕЖДЕНИЕ: Не позволяйте детям играть с данным устройством.

ПОЯСНЕНИЕ: В определенных условиях, при подключении зарядного устройства к источнику питания, может произойти короткое замыкание контактов внутри зарядного устройства посторонними материалами. Не допускайте попадания в полости зарядного устройства таких токопроводящих материалов, как стальная стружка, алюминиевая фольга или другие металлические частицы и т. п. Всегда отключайте зарядное устройство от источника питания, если в нем нет аккумуляторной батареи. Всегда отключайте зарядное устройство от сети перед тем, как приступить к очистке инструмента

- **НЕ ПЫТАЙТЕСЬ заряжать батарею с помощью каких-либо других зарядных устройств, кроме тех, которые указаны в данном руководстве.** Зарядное устройство и батарея предназначены для совместного использования.
- **Эти зарядные устройства не предназначены ни для какого другого использования, помимо**

зарядки аккумуляторных батарей. Использование любых других батарей может привести к возгоранию, поражению электротоком или гибели от электрического шока.

- **Не подвергайте зарядное устройство воздействию снега или дождя.**
- **При отключении зарядного устройства от сети всегда тяните за штепсельную вилку, а не за кабель.** Это поможет избежать повреждения штепсельной вилки и розетки.
- **Убедитесь в том, что кабель расположен таким образом, чтобы на него не наступили, не споткнулись об него, а также в том, что он не натянут и не может быть поврежден.**
- **Не используйте удлинительный кабель без крайней необходимости.** Использование удлинительного кабеля неподходящего типа может привести к пожару или поражению электрическим током.
- **Не ставьте на зарядное устройство никакие предметы и не устанавливайте зарядное устройство на мягкую поверхность, которая может закрыть вентиляционные отверстия и привести к перегреву.** Не размещайте зарядное устройство поблизости от источников тепла. Вентиляция зарядного устройства происходит с помощью отверстий в верхней и нижней части корпуса.
- **Не используйте зарядное устройство при наличии поврежденного кабеля или штепсельной вилки – в этом случае необходимо немедленно их заменить.**
- **Не используйте зарядное устройство, если его роняли, либо если оно подвергалось сильным ударам или было повреждено каким-либо иным образом.** Обратитесь в авторизованный сервисный центр.
- **Не разбирайте зарядное устройство. При необходимости обратитесь в специализированный сервисный центр, если нужно провести обслуживание или ремонт инструмента.** Неправильная сборка может стать причиной пожара или поражения электрическим током.
- **В случае повреждения кабеля питания его необходимо немедленно заменить у производителя, в его сервисном центре или с привлечением другого специалиста аналогичной квалификации для предотвращения несчастного случая.**
- **Перед очисткой отключите зарядное устройство от сети. В противном случае, это может привести к поражению электрическим током.** Извлечение аккумуляторной батареи не приведет к снижению степени этого риска.
- **НИКОГДА не подключайте два зарядных устройства вместе.**
- **Зарядное устройство предназначено для работы при стандартном напряжении сети в 230 В. Не пытайтесь использовать его при каком-либо ином**

напряжении. Это не относится к автомобильному зарядному устройству.






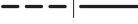
Зарядка батареи (Рис. [Fig.] В)

1. Перед установкой батареи подключите зарядное устройство к соответствующей сетевой розетке.
2. Вставьте аккумуляторную батарею **12** в зарядное устройство, убедившись в том, что она хорошо установлена. Красный индикатор зарядки начнет мигать. Это означает, что процесс зарядки начался.
3. По окончании зарядки красный индикатор будет гореть непрерывно, не мигая. Теперь батарея полностью заряжена, и ее можно использовать или оставить в зарядном устройстве. Чтобы извлечь аккумуляторную батарею из зарядного устройства, нажмите кнопку фиксатора батареи **13** и извлеките батарею.

ПРИМЕЧАНИЕ: Чтобы обеспечить максимальную производительность и срок службы литий-ионных батарей, перед первым использованием полностью зарядите аккумуляторную батарею.

Работа с зарядным устройством

См. состояние зарядки аккумуляторной батареи на приведенных ниже индикаторах.

Индикаторы зарядки	
 Зарядка	
 Полностью заряжен	
 Температурная задержка*	

*В это время красный индикатор продолжит мигать, а когда начнется зарядка, загорится желтый. После того, как батарея достигнет рабочей температуры, желтый индикатор погаснет, и зарядка продолжится.

Зарядное(-ые) устройство(-а) не может(-гут) полностью зарядить неисправную аккумуляторную батарею. При неисправной аккумуляторной батарее, индикатор на зарядном устройстве не загорится.

ПРИМЕЧАНИЕ: Также это может указывать на проблему с зарядным устройством.

Если зарядное устройство указывает на наличие проблемы, проверьте аккумулятор и зарядное устройство в специализированном сервисном центре.

Температурная задержка

Если температура батареи слишком низкая или слишком высокая, зарядное устройство автоматически переходит в режим температурной задержки; при этом зарядка не начинается до тех пор, пока батарея не достигнет нужной температуры. После того, как нужный уровень температуры будет достигнут, устройство перейдет в режим зарядки. Данная функция обеспечивает максимальный срок эксплуатации батареи.

Зарядка холодной батареи занимает больше времени, чем теплой. Аккумуляторная батарея заряжается медленнее во время цикла зарядки и максимального заряда не удастся

добиться даже после того, как аккумуляторная батарея будет теплой.

Зарядное устройство DCB118 оснащено внутренним вентилятором для охлаждения батареи. Вентилятор включится автоматически, если батарея нуждается в охлаждении. Не используйте зарядное устройство, если вентилятор не функционирует или если забиты вентиляционные отверстия. Не позволяйте посторонним предметам попадать внутрь зарядного устройства.

Система электронной защиты


Литий-ионные аккумуляторные батареи XR оснащены системой электронной защиты, которая защищает аккумуляторную батарею от перегрузки, перегрева или глубокой разрядки.

При срабатывании системы электронной защиты инструмент автоматически отключается. В этом случае поставьте литий-ионную батарею на зарядку до тех пор, пока она полностью не зарядится.

Крепление на стену

Данные зарядные устройства могут крепиться на стены или устанавливаться на стол или рабочую поверхность. При креплении на стену расположите зарядное устройство в пределах досягаемости розетки и подальше от углов и других препятствий, которые могут помешать потоку воздуха. Используйте заднюю часть зарядного устройства в качестве образца для положения монтажных болтов на стене. Надежно закрепите зарядное устройство при помощи саморезов (приобретаются отдельно) длиной минимум в 25,4 мм с диаметром шляпки самореза в 7–9 мм, вкрученных в дерево до оптимальной глубины, оставляющей на поверхности примерно 5,5 мм самореза. Совместите отверстия на задней стороне зарядного устройства с выступающими саморезами и полностью вставьте их в отверстия.

Инструкции по очистке зарядного устройства

 **ВНИМАНИЕ: Опасность поражения электрическим током. Перед чисткой отключите зарядное устройство от сети питания.** Грязь и жир можно удалить с наружной поверхности зарядного устройства с помощью тряпки или мягкой неметаллической щетки. Не используйте воду или чистящие растворы. Не допускайте попадание жидкости внутрь инструмента; никогда не погружайте никакие из деталей инструмента в жидкость.



Аккумуляторные батареи

Важные инструкции по технике безопасности для всех батарей

При заказе запасных батарей не забудьте указать номер по каталогу и напряжение.

При покупке батарея заряжена не полностью. Перед тем, как использовать батарею и зарядное устройство, прочтите следующие инструкции по технике безопасности. Затем выполните необходимые действия для зарядки.

ВНИМАТЕЛЬНО ПРОЧИТЕ ВСЕ ИНСТРУКЦИИ

- **Не заряжайте и не используйте батарею во взрывоопасной атмосфере, например, при наличии горючих жидкостей, газов или пыли.** Установка или удаление батареи из зарядного устройства может привести к воспламенению пыли или газов.
 - **Никогда не прилагайте больших усилий, вставляя батарею в зарядное устройство. Не вносите изменения в конструкцию батарей с целью ускорить их в зарядное устройство, к которому они не подходят. Это может привести к серьезным травмам.**
 - Заряжайте батареи только с помощью зарядных устройств.
 - **НЕ ПРОЛИВАЙТЕ** на них и не погружайте их в воду или другие жидкости.
 - **Не храните и не используйте данное устройство и батарею при температуре выше 40 °C (например, на внешних пристройках или на металлических поверхностях зданий в летнее время).**
 - **Не сжигайте батареи, даже поврежденные или полностью отработавшие.** При попадании в огонь батареи могут взорваться. При сжигании литий-ионных батарей образуются токсичные вещества и газы.
 - **При попадании содержимого батареи на кожу, немедленно промойте это место водой с мылом.** При попадании содержимого батареи в глаза, необходимо промыть открытые глаза проточной водой в течение 15 минут или до тех пор, пока не пройдет раздражение. При необходимости обращения к врачу, может пригодиться следующая информация: электролит представляет собой смесь жидких органических углекислых и литиевых солей.
 - **При вскрытии батареи, ее содержимое может вызвать раздражение дыхательных путей.** Обеспечьте наличие свежего воздуха. Если симптомы сохраняются, обратитесь к врачу.
-  **ВНИМАНИЕ:** Опасность ожога. Содержимое батареи может воспламениться при попадании искр или огня.
-  **ВНИМАНИЕ:** Ни в коем случае не разбирайте батарею. При наличии трещин или других повреждений батареи, не устанавливайте ее в зарядное устройство. Не роняйте батарею и не подвергайте ее ударам или другим повреждениям. Не используйте батарею или зарядное устройство после удара, падения или получения каких-либо других повреждений (например, после того, как ее проткнули гвоздем, ударили молотком или наступили на нее). Это может привести к удару или поражению электрическим током. Поврежденные батареи необходимо вернуть в сервисный центр для повторной переработки.



ВНИМАНИЕ: Риск воспламенения. Избегайте замыкания выводов батарей металлическими предметами во время хранения или переноски.

Например, не кладите аккумуляторные батареи в передники, карманы, ящики для инструментов, выдвижные ящики и т. п. с гвоздями, гайками, ключами и т. п.



ПРЕДУПРЕЖДЕНИЕ: Когда устройство не используется, кладите его на бок на устойчивую поверхность в таком месте, где оно не может упасть и об него нельзя споткнуться. Некоторые устройства

с батареями большого размера, стоят сверху на батарее, и могут легко упасть.

Транспортировка



ВНИМАНИЕ: Риск воспламенения. При транспортировке аккумуляторных батарей может произойти возгорание, если терминалы аккумуляторных батарей случайно будут замкнуты электропроводящими материалами. При транспортировке аккумуляторных батарей убедитесь в том, что терминалы защищены и хорошо изолированы от материалов, контакт с которыми может привести к короткому замыканию.

ПРИМЕЧАНИЕ: Литий-ионные аккумуляторные батареи запрещается сдавать в багаж.

Батареи соответствуют всем применимым правилам транспортировки, как предусмотрено промышленными и юридическими стандартами, включая рекомендации ООН по транспортировке опасных грузов; Ассоциация международных авиаперевозчиков (IATA) правила перевозки опасных грузов, Международные правила перевозки опасных грузов морским путем (IMDG), и европейское соглашение о международной дорожной перевозке опасных грузов (ADR). Литий-ионные элементы и аккумуляторные батареи были протестированы в соответствии с разделом 38.3 Рекомендаций ООН по транспортировке опасных грузов руководства по тестам и критериям.

В большинстве случаев транспортировка аккумуляторных батарей не попадает под классификацию, поскольку они не являются опасными материалами Класса 9. В целом, полностью под правила Класса 9 подпадают только перевозки литий-ионных батарей с энергоемкостью выше 100 Ватт час (Вт ч). Энергоемкость всех литий-ионных аккумуляторных батарей в Ватт-часах указана на упаковке. Кроме того, из-за сложности правил, не рекомендует перевозку литий-ионных батарей по воздуху вне зависимости от их энергоемкости. Поставки инструментов с батареями (комбинированные наборы) могут перевозиться по воздуху согласно исключениям, если энергоемкость батареи не превышает 100 Вт ч.

Независимо от того, является ли перевозка исключением или выполняется по правилам, перевозчик должен уточнить последние требования к упаковке, маркировке и оформлению документации.

Информация, изложенная в данном руководстве обоснована и на момент создания данного документа может считаться точной. Но эта гарантия не является ни выраженной, ни подразумеваемой. Покупатель должен обеспечить то, что бы его деятельность соответствовала всем применимым законам.

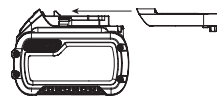
Транспортировка батарей FLEXVOLT™

Батарея DeWALT FLEXVOLT™ оснащена двумя режимами: **эксплуатация и транспортировка.**

Режим эксплуатации: если батарея FLEXVOLT™ используется отдельно или в изделии DeWALT на 18 В, то она будет работать в качестве батареи 18 В. Если батарея FLEXVOLT™ используется в изделии на 54 В или 108 В (две батареи 54 В), то она будет работать в качестве батареи 54 В.

Режим транспортировки: если к батарее FLEXVOLT™ прикреплена крышка, то батарея находится в режиме транспортировки. Сохраните крышку для транспортировки.

При режиме транспортировки ряды элементов электрически отсоединяются внутри батареи, что в итоге дает



3 батареи с более низкой энергоемкостью в ватт-часах (Вт ч) по сравнению с 1 батареей с более высокой емкостью в ватт-часах. Данное увеличенное количество в 3 батареи с более низкой энергоемкостью может исключить комплект из некоторых ограничений на перевозку, налагаемых на батарею с более высокой энергоемкостью.

Например, энергоемкость в режиме

Пример маркировки режимов эксплуатации и транспортировки

транспортировки указана как 3 × 36 Вт ч, что может означать

Use: 108 Wh
Transport: 3x36 Wh

3 батареи с емкостью

в 36 Вт ч каждая. Энергоемкость в режиме эксплуатации

указана как 108 Вт ч (подразумевается 1 батарея).

Рекомендации по хранению

1. Лучшим местом для хранения является прохладное и сухое место, защищенное от прямых солнечных лучей, высокой или низкой температуры. Для оптимальной работы и продолжительного срока службы, храните неиспользуемые аккумуляторные батареи при комнатной температуре.
2. Для достижения максимальных результатов при продолжительном хранении рекомендуется полностью зарядить батарейный комплект и хранить его в прохладном сухом месте вне зарядного устройства.

ПРИМЕЧАНИЕ: Аккумуляторные батареи не должны храниться в полностью разряженном состоянии. Перед использованием аккумуляторная батарея требует повторной зарядки.

Маркировка на зарядном устройстве и аккумуляторной батарее

Помимо пиктограмм, используемых в данном руководстве, на зарядном устройстве и батарее имеются следующие обозначения:



Перед началом работы прочтите руководство по эксплуатации.



Чтобы узнать время зарядки, см. **Технические характеристики**.



Не касайтесь токопроводящими предметами контактов батареи и зарядного устройства.



Не пытайтесь заряжать поврежденную батарею.



Не подвергайте электроинструмент или его элементы воздействию влаги.



Немедленно заменяйте поврежденный кабель питания.



Зарядку осуществляйте только при температуре от 4 °C до 40 °C.



Для использования внутри помещений.



Утилизируйте отработанные батареи безопасным для окружающей среды способом.



Заряжайте аккумуляторные батареи только с помощью соответствующих зарядных устройств. Зарядка иных аккумуляторных батарей, кроме на зарядных устройствах может привести к возгоранию аккумуляторных батарей и возникновению других опасных ситуаций.



Не сжигайте аккумуляторную батарею.



ЭКСПЛУАТАЦИЯ (без крышки для транспортировки).
Пример: энергоёмкость указана как 108 Вт ч (1 батарея с 108 Вт ч).



ТРАНСПОРТИРОВКА (с крышкой для транспортировки). Пример: энергоёмкость указана как 3 x 36 Вт ч (3 батареи по 36 Вт ч).

Тип батарей

Модель DCMST561 работает от аккумуляторной батареи мощностью 18 В.

Могут использоваться следующие типы батарей: DCB181, DCB182, DCB183, DCB183B, DCB184, DCB184B, DCB185, DCB187, DCB189, DCB546, DCB547, DCB548. См. в разделе **«Технические характеристики»** более подробную информацию.

Комплектация поставки

В упаковку входят:

- 1 Триммер
- 1 Аккумуляторная батарея (DCB184-XJ)
- 1 Зарядное устройство (DCB118-XJ)
- 1 Руководство по эксплуатации

ПРИМЕЧАНИЕ: Аккумуляторные батареи, зарядные устройства и инструментальные ящики не входят в комплект поставки для моделей N. Аккумуляторные батареи и зарядные устройства не входят в комплект поставки для моделей NT. Модели V оснащены аккумуляторной батареей Bluetooth®.

ПРИМЕЧАНИЕ: Словесный товарный знак и логотип Bluetooth® являются зарегистрированными товарными знаками Bluetooth®, SIG, Inc. любое использование этих знаков DEWALT лицензировано. Другие торговые марки и названия принадлежат их владельцам.

- Проверьте инструмент, детали и дополнительные принадлежности на наличие повреждений, которые могли произойти во время транспортировки.
- Перед эксплуатацией внимательно прочтите данное руководство.

Маркировка инструмента

На инструмент нанесены следующие обозначения:



Перед началом работы прочтите руководство по эксплуатации.



Используйте защитные очки.



Используйте защитные наушники.



Не подвергайте инструмент воздействию дождя или высокой влажности и не оставляйте снаружи во время дождя.



Выключите инструмент. Перед выполнением любых работ по обслуживанию инструмента, извлекайте из инструмента аккумуляторную батарею.



Держите посторонних лиц на безопасном расстоянии.



Гарантированная акустическая мощность по директиве 2000/14/EC.



Место положения кода даты (Рис. А)

Код даты **18**, который также включает в себя год изготовления, отштампован на поверхности корпуса инструмента.

Пример:

2019 XX XX
Год изготовления

Описание (рис. А)



ВНИМАНИЕ: Никогда не вносите изменения в конструкцию электроинструмента или какой-либо его части. Это может привести к повреждению или травме.

- | | |
|--|-----------------------------------|
| 1 Пусковой выключатель с регулировкой скорости | 9 Защитный кожух |
| 2 Кнопка блокировки пускового выключателя | 10 Корпус катушки |
| 3 Регулятор скорости | 11 Корпус аккумуляторной батареи |
| 4 Дополнительная рукоятка | 12 Аккумуляторная батарея |
| 5 Корпус электродвигателя | 13 Кнопка разблокирования батареи |
| 6 Рычаг блокировки | 14 Рукоятка |
| 7 Защелка штанги | 15 Верхняя штанга |
| 8 Замок штанги | 16 Нижняя штанга |
| | 17 Зажим нижней штанги |

Назначение

Данный триммер предназначен для профессионального выполнения работ по скашиванию. Изделие не предназначено для подрезки кромок газонов.

НЕ ИСПОЛЬЗУЙТЕ в условиях повышенной влажности или поблизости от легковоспламеняющихся жидкостей или газов.

НЕ РАЗРЕШАЙТЕ детям прикасаться к инструменту.

Использование инструмента неопытными пользователями должно происходить под контролем опытного лица.

- **Малолетние дети и люди с ограниченными физическими возможностями.** Данный инструмент не предназначен для использования маленькими детьми или людьми с ограниченными физическими возможностями, если они не находятся под присмотром лица, отвечающего за их безопасность.
- Данный инструмент не предназначен для использования лицами (включая детей) с ограниченными физическими, психическими и умственными возможностями, не имеющими опыта, знаний или навыков работы с ним, если они не находятся под наблюдением лица, ответственного за их безопасность. Никогда не оставляйте детей без присмотра с этим инструментом.

СБОРКА И РЕГУЛИРОВКА



ВНИМАНИЕ: Чтобы снизить риск получения серьезной травмы, необходимо выключить инструмент и отсоединить батарею, прежде чем выполнять какую-либо регулировку либо удалять/устанавливать какие-либо насадки или дополнительные принадлежности.

Случайный запуск может привести к травме.



ВНИМАНИЕ: Используйте только зарядные устройства и аккумуляторные батареи марки.

Установка и извлечение аккумуляторной батареи из инструмента (Рис. В)

ПРИМЕЧАНИЕ: Убедитесь, что аккумуляторная батарея **12** полностью заряжена.

Установка батареи в рукоятку инструмента

1. Совместите аккумуляторную батарею **12** с выемкой на внутренней стороне рукоятки (Рис. В).
2. Завинтите ее в рукоятку так, чтобы аккумуляторная батарея плотно встала на место и убедитесь, что услышали щелчок от вставшего на место замка.

Извлечение батареи из инструмента

1. Нажмите кнопку фиксатора батареи **13** и вытащите батарею из рукоятки.
2. Вставьте батарею в зарядное устройство, как указано в разделе данного руководства, посвященном зарядному устройству.

Датчик уровня заряда аккумуляторной батареи (Рис. В)

В некоторых аккумуляторных батареях есть датчик заряда, который включает три зеленых светодиодных индикатора, показывающих уровень оставшегося заряда аккумуляторной батареи.

Для включения датчика заряда, нажмите и удерживайте кнопку датчика заряда **2**. Загорятся три зеленых светодиода, показывая уровень оставшегося заряда. Когда уровень заряда аккумуляторной батареи будет ниже уровня, необходимого для использования, светодиоды перестанут гореть и аккумуляторную батарею следует зарядить.

ПРИМЕЧАНИЕ: Датчик заряда аккумуляторной батареи показывает уровень оставшегося заряда. Он не показывает работоспособность устройства и его показания могут меняться в зависимости от компонентов продукта, температуры и сфер применения.

Выдвижение и складывание штанги (рис. А, С, Р)



ВНИМАНИЕ: Для снижения риска получения травм, не используйте инструмент со сложенной штангой. Перед установкой аккумуляторной батареи, штанга инструмента должна быть полностью выдвинута, а замок штанги зафиксирован. Извлеките батарею перед складыванием инструмента. Полностью сложите инструмент до фиксации на месте.


1. Чтобы зафиксировать штангу в прямом рабочем положении, сначала убедитесь, что батарея извлечена. Затем поднимите рычаг блокировки **6**, поверните защелку штанги **7** вперед и установите замок штанги **8** поверх фиксатора замка **20**. Поворачивайте защелку штанги **7** назад, пока она не встанет на место со щелчком. Проверьте рычаг блокировки и убедитесь, что он надежно закреплен на месте.
2. Перед тем, как сложить штангу для хранения или транспортировки, сначала убедитесь, что батарея


извлечена. Затем поднимите рычаг блокировки **6**, поверните защелку штанги **7** вперед и поднимите замок штанги **8** вверх и установите его поверх фиксатора замка **20**. Полностью сложите штангу так, чтобы кожух **9** надежно был зафиксирован на месте над задней частью батарейного отсека **11**.

Установка дополнительной рукоятки (рис. А, D)

1. Установите дополнительную рукоятку **4** на основание для рукоятки **23** так, чтобы верхняя штанга триммера **15** оказалась между ними.
2. Удерживая дополнительную рукоятку на месте, вставьте болты рукоятки **24** в рукоятку сверху, вкрутив их в основание рукоятки.
3. Затяните болты рукоятки с помощью поставленного в комплекте шестигранного ключа. Убедитесь, что рукоятка надежно зафиксирована.

Установка кожуха (рис. Е, F)


 **ВНИМАНИЕ:** Снимать кожух запрещается. Это может привести к повреждению или травме.


 **ВНИМАНИЕ: НЕ ИСПОЛЬЗУЙТЕ инструмент БЕЗ НАДЛЕЖАЩИМ ОБРАЗОМ УСТАНОВЛЕННОГО КОЖУХА.** Защитный кожух должен быть надежно закреплен на инструменте для защиты пользователя.

1. Установите кожух **9** на корпус двигателя **5**.
2. Вставьте четыре винта кожуха **21** и надежно затяните их с помощью крестовой отвертки.


ЭКСПЛУАТАЦИЯ


Инструкции по использованию

 **ВНИМАНИЕ:** Всегда следуйте указаниям действующих норм и правил безопасности.

 **ВНИМАНИЕ:** Чтобы снизить риск получения серьезной травмы, необходимо выключить инструмент и отсоединить батарею, прежде чем выполнять какую-либо регулировку либо удалять/устанавливать какие-либо насадки или дополнительные принадлежности. Случайный запуск может привести к травме.

Правильное положение рук во время работы (Рис. G)


 **ВНИМАНИЕ:** Для уменьшения риска получения тяжелой травмы, **ВСЕГДА** правильно удерживайте инструмент, как показано на рисунке.

 **ВНИМАНИЕ:** Для уменьшения риска получения тяжелой травмы, **ВСЕГДА** надежно удерживайте инструмент, предупреждая внезапные сбои в работе.

При правильном расположении рук одна рука находится на основной рукоятке **14**, а другая на дополнительной рукоятке **4**.

Включение и выключение триммера (рис. А)

Чтобы включить инструмент, нажмите кнопку блокировки **2** и затем пусковой выключатель **1**. Чтобы выключить инструмент, отпустите пусковой выключатель и кнопку блокировки.

 **ВНИМАНИЕ:** Ни в коем случае не фиксируйте пусковой выключатель в положении включения.

Регулятор скорости (рис. А)

Данный триммер позволяет выбрать более эффективную скорость для увеличения срока службы при длительной работе или увеличить скорость триммера для высокомоощного скашивания.

Чтобы продлить срок работы, нажмите на регулятор скорости **3** вперед по направлению к дополнительной рукоятке **4** в положение «ЛО». Данный режим лучше всего подходит для объемных задач, для выполнения которых потребуются больше времени.


Чтобы ускорить триммер, сдвиньте регулятор скорости обратно к батарейному отсеку **11** в положение «Н!». Данный режим больше подходит для густой растительности и для работ, где нужно больше оборотом в минуту.

ПРИМЕЧАНИЕ: В режиме «Н!» срок работы будет снижен по сравнению с режимом триммера «ЛО».

Кошение (рис. H, I)

Сохраняйте дистанцию как минимум в 610 мм от кожуха до ваших ног, как показано на рис. H.

Включив триммер, наклоните его и водите им из стороны в сторону, как показано на рис. I.

 **ВНИМАНИЕ:** Держите вращающуюся леску примерно параллельно земле (наклоняя ее не более, чем на 30 градусов). Данная газонокосилка не предназначена для обработки кромок газонов. **НЕ НАКЛОНЯЙТЕ** триммер так, чтобы леска вращалась под прямым углом к земле. Летящие предметы могут привести к серьезным травмам.

Ударный механизм подачи лески

В вашей кордовой газонокосилке используется нейлоновая леска диаметром 2,0 мм. Режущая леска будет быстрее изнашиваться и требовать дальнейшей подачи при скашивании травы вдоль тротуаров и других абразивных поверхностей, или при скашивании более тяжелых сорняков.

По мере использования триммера, леска будет укорачиваться из-за износа. Аккуратно ударьте газонокосилкой о землю при работе на нормальной скорости, чтобы подать леску.

ПРИМЕЧАНИЕ: Подача лески за пределы ширины скашивания в 350 мм негативно повлияет на производительность, срок работы и срок эксплуатации триммера из-за возможности повредить электродвигатель. Это может аннулировать гарантию.

Полезные советы по скашиванию

- Выполняйте скашивание кончиком лески, не давите головкой катушки на нескошенную траву.
- Проволочные заборы и частокотлы дополнительно изнашивают леску и могут даже порвать леску. Каменные и кирпичные стены, бордюры и дерево могут быстро изнашивать леску.
- Не протаскивайте крышку катушки по земле или другим поверхностям.
- Косите высокую траву сверху вниз и не превышайте высоту в 300 мм.
- Держите триммер наклоненным в сторону скашиваемой области, так как это наилучшее положение для кошения.
- Газонокосилки скашивают при передвижении инструмента слева направо. Это помогает предотвратить отбрасывание мусора в сторону оператора.
- Избегайте деревьев и кустов. Древесная кора, деревянные пояски, обшивка стен и столбы заборов легко повреждаются леской.

ТЕХНИЧЕСКОЕ ОБСЛУЖИВАНИЕ

Электроинструмент DeWALT имеет длительный срок эксплуатации и требует минимальных затрат на техобслуживание. Для длительной безотказной работы необходимо обеспечить правильный уход за инструментом и его регулярную чистку.

⚠ ВНИМАНИЕ: *Чтобы снизить риск получения серьезной травмы, необходимо выключить инструмент и извлечь батарею, прежде чем выполнять какую-либо регулировку либо удалять/устанавливать какие-либо дополнительные приспособления. Случайный запуск может привести к травме.*

Зарядное устройство и аккумуляторные батареи не требуют технического обслуживания

Приемы технического обслуживания (Рис. J)

- Держите отверстия воздухозаборника **30** чистыми во избежание перегрева (рис. J).
- Леска триммера со временем может высохнуть. Чтобы поддерживать леску в хорошем состоянии, держите запасную леску в полиэтиленовом, герметичном пакете со столовой ложкой воды.
- Пластмассовые части можно чистить мягким мыльным раствором и влажной тряпкой.
- Нож для обрезки лески на краю кожуха может со временем затупиться. Рекомендуется периодически заточивать нож напильником. Нож для обрезки лески на краю кожуха может со временем затупиться. Рекомендуется периодически заточивать нож напильником.



Смазка

Ваш электроинструмент не требует дополнительной смазки.



Чистка



ВНИМАНИЕ: *Выдувайте грязь и пыль из корпуса сухим сжатым воздухом по мере видимого скопления грязи внутри и вокруг вентиляционных отверстий. Выполняйте очистку, надев средство защиты глаз и респиратор утвержденного типа.*



ВНИМАНИЕ: *Никогда не используйте растворители или другие агрессивные химические средства для очистки неметаллических деталей инструмента. Эти химикаты могут ухудшить свойства материалов, примененных в данных деталях. Используйте ткань, смоченную в воде с мягким мылом. Не допускайте попадания какой-либо жидкости внутрь инструмента; ни в коем случае не погружайте какую-либо часть инструмента в жидкость.*

Дополнительные принадлежности



ВНИМАНИЕ: *Поскольку принадлежности, отличные от тех, которые предлагаем DEWALT, не проходили тесты на данном изделии, то использование этих принадлежностей может привести к опасной ситуации. Во избежание риска получения травмы, с данным продуктом должны использоваться только рекомендованные DEWALT дополнительные принадлежности.*

По вопросу приобретения дополнительных принадлежностей обращайтесь к Вашему дилеру.



ВНИМАНИЕ: *Чтобы снизить риск получения серьезной травмы, необходимо выключить инструмент и извлечь батарею, прежде чем выполнять какую-либо регулировку либо удалять/устанавливать какие-либо дополнительные приспособления.*



ВНИМАНИЕ: *Использование любых принадлежностей, не рекомендованных для использования с этим инструментом, может быть опасным.*



ВНИМАНИЕ: *Не используйте с данным триммером лезвия или какие-либо другие дополнительные принадлежности или насадки, за исключением рекомендованных DeWALT. Это может повлечь за собой серьезные травмы и повреждения изделия.*

При замене лески, рекомендуется использовать только леску диаметром 2,0 мм (№ модели DT20650 или DT20651). Лески других размеров могут привести к снижению производительности и повреждениям газонокосилки.

Загрузка новой режущей лески (рис. К–М)



ВНИМАНИЕ: Чтобы снизить риск получения серьезной травмы, необходимо выключить инструмент и извлечь батарею, прежде чем выполнять какую-либо регулировку либо удалять/устанавливать какие-либо дополнительные приспособления или принадлежности, заменять леску или выполнять чистку. Случайный запуск может привести к травме.



ПРЕДУПРЕЖДЕНИЕ: Используйте только сменные катушки и леску DEWALT. Использование лески от каких-либо других производителей может снизить рабочие характеристики, повредить триммер или повлечь за собой травмы.

Триммер использует спиральную леску диаметром 2,0 мм с гладкими скругленными краями. Не используйте лески других размеров. Это может снизить эффективность, повредить инструмент или привести к травмам.



ПРЕДУПРЕЖДЕНИЕ: Если леска выступает за нож для обрезки лески, то во избежание поврежденный инструмента обрежьте ее так, чтобы она только доходила до ножа.

Используйте только запасные лески DEWALT.

1. Извлеките аккумуляторную батарею.
2. Отрежьте участок лески 2,0 мм длиной до 6 м.
3. Совместите отверстия в корпусе катушки **26** со стрелкой **27** на крышке катушки **29**, как показано на рис. К.
4. Проденьте один конец лески сквозь отверстие. Доведите леску до второго отверстия и протягивайте ее сквозь него до тех пор, пока длина лески с обеих сторон корпуса катушки не выровняется, как показано на рис. L.
5. Удерживайте крышку катушки на месте одной рукой. Намотайте леску на катушку второй рукой, поворачивая крышку катушки против часовой стрелки. Продолжайте наматывать до тех пор, пока с каждой стороны корпуса катушки не останется по 130 мм лески.

Замена узла катушки (рис. А, N)

1. Поворачивайте корпус катушки **10** до тех пор, пока отверстие **31** в пластине шпинделя не совпадет с меткой **32** в корпусе двигателя. Вставьте отвертку сквозь метку в отверстие, чтобы не дать шпинделю вращаться.
2. Выверните и снимите корпус катушки, поворачивая крышку катушки **29** по часовой стрелке.
ПРИМЕЧАНИЕ: Не пытайтесь снять корпус катушки, поворачивая корпус катушки **10**.
3. Перед установкой новой катушки, снимите пластину шпинделя **34**. Удалите всю грязь и траву с катушки и ее корпуса.

4. Установите пластину шпинделя **34** на шпиндель **33**, таким образом, чтобы контргайка на шпинделе находилась на основании пластины шпинделя.
5. Совместите отверстие в пластине шпинделя и метку, вставьте отвертку обратно в отверстие и вверните новую

Замена кожуха (рис. O)



ВНИМАНИЕ: Не используйте инструмент без надлежащим образом установленного кожуха.

1. Выверните четыре винта кожуха **21**.
2. Установите новый кожух, как описано в разделе **Установка кожуха**.

Складывание для хранения или транспортировки (рис. P)

Триммер можно сложить для хранения или транспортировки. Инструкцию по складыванию триммера см. в разделе **Выдвижение и складывание штанги**.

Защита окружающей среды



Отдельная утилизация. Изделия и аккумуляторные батареи с данным символом на маркировке запрещается утилизировать с обычными бытовыми отходами.

Изделия и аккумуляторные батареи содержат материалы, которые могут быть извлечены или переработаны, снижая потребность в исходном сырье. Пожалуйста, утилизируйте электрические изделия и аккумуляторные батареи в соответствии с местными нормами. Дополнительная информация доступна по адресу www.2helpu.com.

Аккумуляторная батарея

Данную аккумуляторную батарею с длительным сроком эксплуатации необходимо перезаряжать, когда она перестает обеспечивать питание, необходимое для выполнения определенных работ. По окончании срока эксплуатации ее следует утилизировать, соблюдая при этом необходимые меры по защите окружающей среды:

- полностью разрядите батарею до конца и извлеките ее из инструмента.
- литий-ионные аккумуляторные батареи подлежат вторичной переработке. Сдайте их нашему дилеру или в местный центр вторичной переработки. В этих пунктах батареи будут подвергнуты повторной переработке или правильной утилизации.



Приложение к руководству по эксплуатации электрооборудования для определения месяца производства по номеру текущей календарной недели года

Электрооборудование торговых марок "Dewalt", "Stanley", "Stanley FatMAX", "BLACK+DECKER".

Директивы 2014/30/EU ЕВРОПЕЙСКОГО ПАРЛАМЕНТА И СОВЕТА от 26 февраля 2014 г. "О гармонизации законодательства Государств-членов ЕС в области электромагнитной совместимости", 2006/42/ЕС ЕВРОПЕЙСКОГО ПАРЛАМЕНТА И СОВЕТА от 17 мая 2006 г. "О машинах и оборудовании"; 2014/35/EU ЕВРОПЕЙСКОГО ПАРЛАМЕНТА И СОВЕТА от 26 февраля 2014 г. "О гармонизации законодательства государств-членов в области размещения на рынке электрооборудования, предназначенного для использования в определенных пределах напряжения". Серийный выпуск.

ТОВАР СЕРТИФИЦИРОВАН

Орган по сертификации "РОСТЕСТ- Москва", Адрес: 119049, г. Москва, улица Житная, д. 14, стр. 1; 117418, Москва, Нахимовский просп., 31 (фактический); Телефон: (495) 1292311, (495) 6682893, факс: (495) 6682893, E-mail: office@rostest.ru
Изготовитель: Изготовитель: Блэк энд Деккер Холдингс ГмбХ, Германия, 65510, Идштайн, ул. Блэк энд Деккер, 40, тел. +496126212790.

Уполномоченное изготовителем юр.лицо:

ООО "Стэтли Блэк энд Деккер", 117485, город Москва, улица Обручева, дом 30/1, строение 2
Телефон: + 7 (495) 258-3981, факс: + 7 (495) 258-3984, E-mail: inbox@dewalt.com
Сведения о импортере указаны в сопроводительной документации и/или на упаковке

Хранение.

Необходимо хранить в сухом месте, вдали от источников повышенных температур и воздействия солнечных лучей. При хранении необходимо избегать резкого перепада температур. Хранение без упаковки не допускается

Срок службы.

Срок службы изделия составляет 5 лет. Не рекомендуется к эксплуатации по истечении 5 лет хранения с даты изготовления без предварительной проверки.

Дата изготовления (код даты) указана на корпусе инструмента. Код даты, который также включает год изготовления, отштампован на поверхности корпуса изделия.

Пример:

2014 46 XX, где 2014 –год изготовления, 46–неделя изготовления. Определить месяц изготовления по указанной неделе изготовления можно согласно приведенной ниже таблице.

Транспортировка.

Категорически не допускается падение и любые механические воздействия на упаковку при транспортировке. При разгрузке/погрузке не допускается использование любого вида техники, работающей по принципу зажима упаковки.

Перечень критических отказов, возможные ошибочные действия персонала.

Не допускается эксплуатация изделия:

- При появлении дыма из корпуса изделия
- При поврежденном и/или оголенном сетевом кабеле
- при повреждении корпуса изделия, защитного кожуха, рукоятки
- при попадании жидкости в корпус
- при возникновении сильной вибрации
- при возникновении сильного искрения внутри корпуса

Критерии предельных состояний.

- При поврежденном и/или оголенном сетевом кабеле
- при повреждении корпуса изделия

Месяц	Январь	Февраль	Март	Апрель	Май	Июнь	Июль	Август	Сентябрь	Октябрь	Ноябрь	Декабрь	Год производства
Неделя	1	5	9	14	18	23	27	31	36	40	44	49	2018
	2	6	10	15	19	24	28	32	37	41	45	50	
	3	7	11	16	20	25	29	33	38	42	46	51	
	4	8	12	17	21	26	30	34	39	43	47	52	
			13		22			35			48		
Неделя	1	6	10	14	18	23	27	31	36	40	45	49	2019
	2	7	11	15	19	24	28	32	37	41	46	50	
	3	8	12	16	20	25	29	33	38	42	47	51	
	4	9	13	17	21	26	30	34	39	43	48	52	
	5				22			35		44			
Неделя	1	6	10	14	19	23	27	32	36	40	45	49	2020
	2	7	11	15	20	24	28	33	37	41	46	50	
	3	8	12	16	21	25	29	34	38	42	47	51	
	4	9	13	17	22	26	30	35	39	43	48	52	
	5				18		31			44			
Неделя	2	6	10	14	19	23	27	32	36	41	45	49	2021
	3	7	11	15	20	24	28	33	37	42	46	50	
	4	8	12	16	21	25	29	34	38	43	47	51	
	5	9	13	17	22	26	30	35	39	44	48	52	
					18		31		40			1	
Неделя	2	6	10	15	19	23	28	32	36	41	45	49	2022
	3	7	11	16	20	24	29	33	37	42	46	50	
	4	8	12	17	21	25	30	34	38	43	47	51	
	5	9	13	18	22	26	31	35	39	44	48	52	
				14		27			40			1	

ТРИМЕР

DCMST561

Вітаємо вас!

Ви обрали інструмент виробництва компанії DEWALT. Ретельна розробка продукції, багаторічний досвід фірми у виробництві інструментів, різні вдосконалення, все це зробило інструменти DEWALT є одними із найнадійніших помічників для тих, хто використовує електричні інструменти у своїй професії.

Технічні дані

DCMST561		
Напруга	V _{пост.струму}	18
Великобританія та Ірландія	V _{пост.струму}	18
Тип		2
Тип батареї		Літій-іонна
Вихідна потужність	Вт	400
об/хв		0–4600/ 0–6000
Розмір смуги скосу	мм	350
Смуга скосу	см	36
Маса (без акумулятора)	кг	3,6

Значення рівня шуму та вібрації (сума трьох векторів) відповідно до стандарту EN50636-2-91:2014

L _{PA} (рівень тиску звукового випромінювання)	дБ(A)	79
K (похибка для даного рівня звукового тиску)	дБ(A)	2,1
L _{WA} (рівень звукової потужності)	дБ(A)	93,5
K (похибка для даного рівня звукового тиску)	дБ(A)	2,6

Значення вібрації ah =	м/с ²	3,9
Похибка K =	м/с ²	1,5

Значення вібрації та/або шуму, наведене в цьому документі, було виміряне згідно зі стандартизованим тестом, викладеним в стандарті EN50636-2-91, та може використовуватись для порівняння інструментів. Це значення вібрації можна також використовувати для попередньої оцінки впливу вібрації.

УВАГА! Заявлене значення вібрації та/або шуму відповідає вимогам цільового використання інструмента. Однак якщо інструмент використовується для виконання інших завдань, або з іншими витратними матеріалами/насадками, або не обслуговується належним чином, значення вібрації та/або шуму може відхилитися. Це може значно збільшити рівень впливу протягом усього періоду роботи.

Оцінка рівня впливу вібрації та/або шуму має враховувати час, протягом якого інструмент є вимкненим, а також час, протягом якого він є ввімкненим, але не використовується. Це може

значно зменшити рівень впливу протягом усього періоду роботи.

Визначення додаткових заходів безпеки для захисту оператора від впливу вібрації та/або шуму: технічне обслуговування інструмента та приладдя, утримання рук у теплі (має значення для вібрації), організація режиму роботи.

Декларація про відповідність ЄС

Директива для механічного обладнання



Тример DCMST561

Компанія DEWALT заявляє, що вироби, описані у розділі **Технічні дані**, відповідають наступним стандартам: 2006/42/EC, EN60335-1:2012 + A11:2014 + A13:2017 + A1:2019 + A14:2019 + A2:2019 EN50636-2-91:2014.

2000/14/EC, тример для газонів, L ≤ 50 см, Додаток VI DEKRA Certification B.V.

Meander 1051 / P.O. 5185

6825 MJ ARNHEM / 6802 ED ARNHEM, Нідерланди

Ідентифікаційний № уповноваженого органу: 0344

Рівень акустичної потужності відповідно до 2000/14/EC (Стаття 12, Додаток III, L ≤ 50 см =):

L_{PA} (вимірний тиск звукового випромінювання)
79 дБ(A)

похибка (K) = 2,1 дБ(A)

L_{WA} (гарантована акустична потужність)
96 дБ(A)

Ці продукти також відповідають вимогам Директив 2014/30/EU та 2011/65/EU. Для отримання додаткової інформації зверніться до компанії DEWALT за наступною адресою або прочитайте інформацію на зворотній стороні цього посібника.

Нижчепідписаний несе відповідальність за упорядкування файлу технічних характеристик та робить цю заяву від імені компанії DEWALT.

Маркус Ромпель (Markus Rompel)
технічний директор, PTE-Europa
DEWALT, Richard-Klinger-Straße 11,
D-65510, Idstein, Німеччина
15.10.2020

Батареї				Зарядні пристрої/час зарядки (у хвиликах)							
Кат. №	V _{DC}	Ah	Маса (kg)	DCB104	DCB107	DCB112	DCB113	DCB115	DCB118	DCB132	DCB119
DCB546	18/54	6.0/2.0	1.05	60	270	170	140	90	60	90	X
DCB547	18/54	9.0/3.0	1.46	75*	420	270	220	135*	75*	135*	X
DCB548	18/54	12.0/4.0	1.44	120	540	350	300	180	120	180	X
DCB181	18	1.5	0.35	22	70	45	35	22	22	22	45
DCB182	18	4.0	0.61	60/40**	185	120	100	60	60/40**	60	120
DCB183/B	18	2.0	0.40	30	90	60	50	30	30	30	60
DCB184/B	18	5.0	0.62	75/50**	240	150	120	75	75/50**	75	150
DCB185	18	1.3	0.35	22	60	40	30	22	22	22	X
DCB187	18	3.0	0.54	45	140	90	70	45	45	45	90
DCB189	18	4.0	0.54	60	185	120	100	60	60	60	120

*Код дати 201811475В або пізніше

**Код дати 201536 або пізніше



ПОПЕРЕДЖЕННЯ: Уважно прочитайте керівництво з експлуатації для зниження ризику отримання травм.

Позначення: інструкції з техніки безпеки

Умовні позначення, наведені нижче, описують рівень важливості кожної попереджувальної вказівки. Прочитайте керівництво з експлуатації та зверніть увагу на символи, наведені нижче.



НЕБЕЗПЕЧНО: Вказує на безпосередню загрозу, яка, якщо її не уникнути, **приведе до смерті або серйозної травми.**



ПОПЕРЕДЖЕННЯ: Вказує на потенційну загрозу, ігнорування якої **може** привести до **смерті або серйозної травми.**



УВАГА: Вказує на потенційну загрозу, ігнорування якої **може** привести до **травми легкої або середньої тяжкості.**

ПРИМІТКА: Вказує на ситуацію, **не пов'язану з особою травмою**, ігнорування цієї ситуації **може** привести до **пошкодження майна.**



Вказує на ризик ураження електричним струмом.



Вказує на ризик виникнення пожежі.

Інструкції з техніки безпеки



УВАГА: При використанні пристроїв з живленням від електричної мережі необхідно дотримуватись основних заходів безпеки, включаючи наступні, щоб знизити ризик виникнення пожежі, ураження електричним струмом, травм та матеріальних ушкоджень.



УВАГА: При використанні пристрою необхідно дотримуватись правил техніки безпеки. Перед використанням пристрою уважно прочитайте цей посібник для забезпечення власної безпеки та безпеки сторонніх людей. Будь ласка, зберігайте інструкції в безпечному місці для використання в майбутньому.

- Перед роботою з пристроєм уважно прочитайте це керівництво.
- У цьому керівництві описано використання за призначенням. Використання будь-якого приладдя насадок чи додаткового обладнання або виконання операцій з приладом, не описаних у цьому посібнику, може призвести до тілесних ушкоджень.
- Зберігайте це керівництво для отримання інформації в подальшому.

ВАЖЛИВО!

УВАЖНО ПРОЧИТАЙТЕ ПЕРЕД ВИКОРИСТАННЯМ ПРИСТРОЮ ЗБЕРІГАЙТЕ ДЛЯ ВИКОРИСТАННЯ В МАЙБУТНЬОМУ

Правила безпечної експлуатації

Навчання

- а) **Уважно прочитайте інструкції.** Ознайомтесь в правилах управління та відповідного використання пристрою.
- б) **У жодному разі не дозволяйте дітям та особам, які не знають усіх інструкцій, використовувати цей пристрій.** За місцевим законодавством може обмежуватись вік оператора пристрою.
- в) **Пам'ятайте, що оператор або користувач відповідає за нещасні випадки та небезпеку щодо інших людей або їхнього майна.**

Підготовка до роботи

- а) **Перед використанням завжди візуально оглядайте пристрій на наявність пошкоджень, відсутності або невірну установку запобіжників та захисних пристроїв.**
- б) **Не використовуйте пристрій, коли інші особи, особливо діти або домашні тварини знаходяться поруч.**

Експлуатація

- a) При роботі з інструментом завжди використовуйте засоби захисту очей та міцні черевички.
- b) Уникайте використання пристрою у погану погоду, особливо коли є ризик блискавки.
- c) Використовуйте цей пристрій лише вдень або за умови хорошого штучного освітлення.
- d) Ніколи не використовуйте інструмент із пошкодженими запобіжниками чи захисними пристроями або без них.
- e) Вмикайте двигун, коли руки та ноги знаходяться на відстані від ріжучих деталей.
- f) Не намагайтесь дотягнутися, постійно утримуйте баланс, завжди слідкуйте за стійким положенням ніг на схилах. Йдіть, але ніколи не біжіть.
- g) Завжди відключайте пристрій від мереж живлення (тобто витягайте вилку з розетки, витягайте пристрій тимчасового відключення або акумулятор):
 - коли пристрій залишається без нагляду;
 - перед очищенням після забивання;
 - перед перевіркою, очищенням або роботою з пристроєм;
 - після зіткнення із стороннім предметом;
 - коли пристрій починає занадто сильно вібрувати.
- h) Будьте обережні, щоб не завдати шкоди ріжучими деталями нозам та рукам.
- i) Стежте за тим, щоб вентиляційні отвори були чистими.

Технічне обслуговування та зберігання

- a) Відключайте пристрій від мереж живлення (тобто витягайте вилку з розетки, витягайте пристрій тимчасового відключення або акумулятор) перед технічним обслуговуванням та очищенням.
- b) Використовуйте лише ті заміні деталі та аксесуарі, які рекомендовані виробником.
- c) Регулярно перевіряйте пристрій та виконуйте технічне обслуговування. Надавайте пристрій для ремонту лише в авторизований сервісний центр.
- d) Коли пристрій не використовується, зберігайте його у недоступних для дітей місцях.

Додаткові інструкції з техніки безпеки для тримерів

УВАГА: Ріжучі елементи продовжують обертатися після вимкнення двигуна.

- Вдягайте довгі штани, щоб захистити ноги.

- Перед використанням пристрою перевірте, що лinya вашого розрізу вільна від прутів, каміння, провідки та інших перешкод.
- Використовуйте цей пристрій лише у вертикальному положенні так, щоб ріжуча волосінь була недалеко від землі. Ніколи не вмикайте інструмент в іншому положенні.
- Під час використання пристрою рухайтесь повільно. Пам'ятайте, що скошена трава волога та слизька.
- Не працюйте, стоячи на нахиленій поверхні. Рухайтесь по схилу поперек, а не вгору або вниз.
- Ніколи не переходьте ґравієві доріжки та дороги з увімкненим пристроєм.
- Ніколи не торкайтесь ріжучої волосіні, коли інструмент увімкнений.
- У жодному разі не кладіть пристрій, доки ріжуча волосінь повністю не зупиниться.
- Використовуйте лише відповідний тип ріжучої волосіні. Забороняється використовувати металеву та рибачку волосінь.
- Ніколи не торкайтесь леза підрізного ножа.
- Тримайте руки та ноги подалі від ріжучої волосіні, особливо при увімкненні інструменту.
- Перед використанням пристрою та після будь-якої роботи з ним перевіряйте пристрій на ознаки зносу або пошкодження та виконуйте ремонт за необхідності.
- Будьте обережні, щоб не пошкодитись якимось пристроєм, встановленим для підрізання довжини ріжучої волосіні. Після витягування нової ріжучої волосіні завжди повертайте пристрій у нормальне робоче положення перед увімкненням його.
- Необхідний ретельний нагляд, коли пристрій використовується біля дітей.
- Цей пристрій не призначений для використання молодими та хворими людьми без нагляду.
- Цей інструмент не можна використовувати в якості іграшки.
- Використовуйте лише в сухому місці. Не дозволяйте, щоб пристрій був вологим.
- Не занурюйте пристрій у воду.
- Не відкривайте корпус. Всередині відсутні деталі, які користувач може обслуговувати самостійно
- Не використовуйте цей пристрій у вибухонебезпечних умовах, наприклад, в присутності легкозаймистих рідин, газів або пилу.
- Якщо пристрій зберігається або транспортується в автомобілі, його необхідно помістити в багажник або зафіксувати, щоб уникнути рухів через раптові зміни швидкості або напрямку.
- Коли пристрій не використовується, його необхідно зберігати у сухому, добре провітрюваному та недоступному для дітей місці.
- Дітям забороняється мати доступ до пристрою в місці зберігання.

Безпека сторонніх людей

- *Цей пристрій не призначений для використання особами (включаючи дітей) зі зниженими фізичними, сенсорними або розумовими можливостями, а також особами, яким бракує досвіду або знань, за винятком випадків, коли такі особи працюють під наглядом або отримали інструкції щодо використання пристрою від особи, яка несе відповідальність за їхню безпеку.*
- *Діти повинні знаходитись під контролем, щоб гарантувати, що вони не будуть грати з пристроєм.*
- *Якщо пристрій зберігається або транспортується в автомобілі, його необхідно помістити в багажник або зафіксувати, щоб уникнути рухів через раптові зміни швидкості або напрямку.*
- *Коли пристрій не використовується, його необхідно зберігати у сухому, добре провітрюваному та недоступному для дітей місці.*
- *Дітям забороняється мати доступ до пристрою в місці зберігання.*

Остаточні ризики

Несмотря на спостереження соответствующих инструкций по технике безопасности и использование предохранительных устройств, некоторые остаточные риски невозможно полностью исключить. А именно:

- *ухудшение слуха;*
- *риск травм от разлетающихся частиц;*
- *риск получения ожогов в результате нагревания инструмента в процессе работы;*
- *риск получения травмы в результате продолжительной работы.*

СОХРАНИТЕ НАСТОЯЩЕЕ РУКОВОДСТВО

Залишкові ризики

Дотримання всіх правил техніки безпеки та застосування пристроїв безпеки не гарантує уникнення певних залишкових ризиків. До такого переліку належать:

- *Порушення слуху.*
- *Ризик тілесних ушкоджень через частинки, які розлітаються.*
- *Ризик опіків через нагрівання приладдя під час роботи.*
- *Ризик тілесних ушкоджень через занадто тривале використання.*

ЗБЕРІГАЙТЕ ЦІ ІНСТРУКЦІЇ

Зарядні пристрої

DeWALT не вимагають налаштувань і розроблені для максимально простого використання.

Електрична безпека

Електричний двигун розроблений для роботи лише з одним значенням напруги. Завжди перевіряйте, що напруга акумулятора відповідає напрузі, що вказана в технічних

даних. Також переконайтесь, що напруга зарядного пристрою відповідає напрузі мережі живлення.



Ваш DeWALT Ваш зарядний пристрій виробництва компанії DeWALT має подвійну ізоляцію відповідно до EN60335; тому заземлення не є необхідним.

Якщо кабель живлення пошкоджений, його необхідно замінити на спеціальний кабель, який можна замовити в офіційних сервісних центрах DeWALT. організація обслуговування.

Використання електричного подовжувача

Використовуйте подовжувальний шнур лише за абсолютної необхідності. Використовуйте лише рекомендований подовжувальний шнур, що відповідає споживаній потужності вашого зарядного пристрою (див. **Технічні дані**). Мінімальний розмір сідення провідника становить 1 мм²; максимальна довжина — 30 м.

При використанні кабельного барабану завжди витягуйте весь кабель.

Важливі інструкції з техніки безпеки для всіх зарядних пристроїв

ЗБЕРІГАЙТЕ ЦІ ІНСТРУКЦІЇ: У цьому керівництві містяться важливі інструкції з техніки безпеки та використання для сумісних зарядних пристроїв (див. «Технічні дані»).

- *Перед використанням зарядного пристрою прочитайте всі інструкції та попередження на зарядному пристрої, акумуляторах та продукті, для якого ці акумулятори використовуються.*



ПОПЕРЕДЖЕННЯ: Небезпека ураження електричним струмом. Не допускайте потрапляння рідини в зарядний пристрій. Це може призвести до ураження електричним струмом.



ПОПЕРЕДЖЕННЯ: Ми рекомендуємо використовувати пристрій з керуванням диференційним струмом з номінальним значенням диференційного струму 30 мА або менше.



УВАГА: Небезпека опіку. Для зниження ризику виникнення травм заряджайте лише акумулятори DeWALT, акумуляторні батареї. Інші типи акумуляторів можуть вибухнути, спричинивши тілесні ушкодження та пошкодження майна.



УВАГА: Уважно слідкуйте за тим, щоб діти не гралися з пристроєм.

ПРИМІТКА: За певних умов, коли зарядний пристрій підключений до мережі живлення, незахищені контакти всередині зарядного пристрою можуть замкнутися будь-яким стороннім предметом. Сторонні предмети, що проводять струм, наприклад металева стружка, алюмінієва фольга або будь-які металеві деталі, необхідно зберігати подалі від зарядного пристрою. Завжди відключайте зарядний пристрій від розетки, коли батарея не встановлена в зарядний пристрій. Відключіть зарядний пристрій від мережі живлення перед його очищенням

- **НЕ намагайтеся заряджати акумулятор зарядними пристроями, що не вказані в цьому керівництві.** Зарядний пристрій та акумулятори даної моделі розроблені для сумісної експлуатації.
- **Ці зарядні пристрої не призначені ні для чого іншого, крім зарядки акумуляторів DEWALT акумуляторні батареї.** Використання з іншими акумуляторами може призвести до виникнення пожежі або ураження електричним струмом.
- **Не піддавайте зарядний пристрій впливу дощу або снігу.**
- **При відключенні зарядного пристрою від мережі живлення тягніть за вилку, а не за кабель.** Це зменшить ризик пошкодження вилки та кабелю.
- **Переконайтесь, що кабель розміщений так, щоб на нього не наступали, не ходили по ньому та не піддавали його іншим фізичним впливам.**
- **Не використовуйте подовжувальний шнур окрім випадків, коли це абсолютно необхідно.** Використання невідповідних подовжувальних шнурів може призвести до пожежі або ураження електричним струмом.
- **Не кладіть будь-які предмети на зарядний пристрій та не залишайте зарядний пристрій на м'якій поверхні, що може заблокувати вентиляційні отвори та призвести до надмірного нагрівання.** Розташуйте зарядний пристрій подальше від джерел тепла. Зарядний пристрій вентилюється крізь отвори у верхній та нижній частинах корпусу.
- **Не використовуйте зарядний пристрій із пошкодженим кабелем або вилкою — їх потрібно негайно замінити.**
- **Не використовуйте зарядний пристрій, якщо той отримав різкий удар, впавав або був пошкоджений іншим чином.** Віднесіть його до авторизованого сервісного центру.
- **Якщо зарядний пристрій вимагає технічного обслуговування або ремонту, не розбирайте його самотужки, а віднесіть до авторизованого сервісного центру.** Невідповідні способи використання можуть призвести до виникнення пожежі або ураження електричним струмом.
- **Якщо кабель живлення пошкоджено, для уникнення небезпеки його необхідно негайно замінити, звернувшись до виробника, спеціаліста сервісного центру або іншого кваліфікованого спеціаліста.**
- **Відключайте зарядний пристрій від розетки перед його очищенням. Це дозволяє знизити ризик ураження електричним струмом.** Видалення акумулятора не знижує ризик.
- **НИКОЛИ не намагайтесь з'єднувати два зарядні пристрої.**
- **Цей зарядний пристрій розрахований на роботу зі стандартною напругою побутової електромережі 230 В. Не намагайтесь використовувати його з**

іншою напругою. Це не стосується автомобільних зарядних пристроїв.








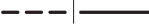

Зарядка акумулятора (Рис. [Fig.] B)

1. Підключіть зарядний пристрій до відповідної розетки перед встановленням акумулятора.
2. Вставте акумулятор **12** у зарядний пристрій до упору. Червоний індикатор («зарядка») буде блимати, вказуючи на початок процесу зарядки.
3. Коли зарядку завершено, червоний індикатор горить, не блимаючи. Це означає, що акумулятор повністю заряджений та може використовуватися одразу або залишатися в зарядному пристрої. Щоб витягнути акумулятор із зарядного пристрою, натисніть кнопку деблокування **13** на акумуляторі.

ПРИМІТКА: щоб забезпечити максимальну продуктивність та тривалість роботи літій-іонного акумулятора, повністю зарядіть його перед першим використанням.

Робота зарядного пристрою

Нижче описані індикатори стану зарядки акумулятора.

Індикатори зарядки	
	Заряджається  
	Повністю заряджений  
	Затримка через надмірно високу/низьку температуру акумулятора*  

*Червоний індикатор буде продовжувати миготіти, а жовтий індикатор буде горіти під час виконання цього завдання. Коли акумулятор досягне прийнятної температури, жовтий індикатор згасне, а зарядний пристрій відновить процес зарядки.

Сумісний зарядний пристрій не буде заряджати несправний акумулятор. Зарядний пристрій розпізнає несправну батарею та не ввімкне світловий індикатор.

ПРИМІТКА: Це також може свідчити про проблему з зарядним пристроєм.

Якщо виявлено проблему із зарядним пристроєм, віднесіть зарядний пристрій та акумулятор для перевірки в авторизованій сервісний центр.

Затримка через надмірно високу/низьку температуру акумулятора

Якщо зарядний пристрій визначає, що акумулятор є надмірно гарячим або холодним, він автоматично вмикає режим температурної затримки, припиняючи процес зарядки, доки акумулятор не досягне відповідної температури. Після досягнення прийнятної температури зарядний пристрій автоматично перемикається в режим зарядки акумулятора. Ця функція забезпечує максимальний термін служби акумулятора.

Холодний акумулятор буде заряджатися повільніше порівняно з теплим акумулятором. Такий акумулятор буде заряджатися повільніше протягом всього циклу зарядки та

не повернеться до максимального значення зарядки, навіть якщо нагріється.

Зарядний пристрій DCB118 оснащений внутрішнім вентилятором, призначеним для охолодження акумулятора. Вентилятор автоматично вмикається, коли акумулятор потребує охолодження. Ніколи не використовуйте зарядний пристрій, якщо вентилятор працює неналежним чином або вентиляційні отвори заблоковані. Уникайте потрапляння сторонніх предметів усередину зарядного пристрою.

Електронна система захисту


Інструменти з літій-іонними акумуляторами XR розроблені з використанням електронної системи захисту, яка захищає акумулятор від перевантаження, перегрівання або глибокої розрядки.

Пристрій автоматично вимикається, якщо спрацює електронна система захисту. Якщо це сталося, встановіть літій-іонний акумулятор в зарядний пристрій до повної зарядки.

Кріплення на стіну

Ці зарядні пристрої можна закріпити на стіні, чи поставити на стіл або іншу робочу поверхню. При кріпленні на стіну розташуйте зарядний пристрій недалеко від електричної розетки, а також подалі від кутів та інших перешкод, що заважають повітряному потоку. Скористайтеся задньою частиною зарядного пристрою в якості шаблону для розташування кріпильних гвинтів на стіні. Надійно зафіксуйте зарядний пристрій за допомогою шурупів (потрібно придбати окремо) довжиною приблизно 25,4 мм з голівкою діаметром 7–9 мм, що закручуються в дерев'яну поверхню до оптимальної глибини, щоб залишилося приблизно 5,5 мм. Вирівняйте отвори на задній поверхні зарядного пристрою з виступаючими шурупами, після чого повністю вставте шурупи в отвори.

Інструкції з очищення зарядного пристрою

 **ПОПЕРЕДЖЕННЯ: Небезпека ураження електричним струмом. Відключіть зарядний пристрій від розетки змінного струму перед його очищенням.** Бруд та жир можна видалити з поверхні зарядного пристрою за допомогою ганчірки або м'якої неметалевої щітки. Не використовуйте воду та мийні розчини. Не дозволяйте рідині потрапляти всередину інструмента та ніколи не занурюйте деталі інструмента в рідину.




Акумулятор

Важливі інструкції з техніки безпеки для різних типів акумуляторів

При замовленні змінних акумуляторів не забудьте вказати номер за каталогом та напругу.

Новий акумулятор заряджений не повністю. Перед використанням акумулятора та зарядного пристрою прочитайте всі нижче наведені інструкції з техніки безпеки. Після цього виконайте всі вказані пункти процедури зарядки.

ПРОЧИТАЙТЕ ВСІ ІНСТРУКЦІЇ

- **Не заряджайте та не використовуйте акумулятор у вибухонебезпечних умовах, наприклад в присутності легкозаймистих рідин, газів або пилу.** Під час встановлення або виймання батареї з зарядного пристрою може спалахнути пил або пара.
- **На прикладайте зусилля, вставляючи акумулятор в зарядний пристрій. Жодним чином не модифікуйте акумулятор, аби встановити його в несумісний зарядний пристрій, адже акумулятор може розірватися та спричинити серйозні травми.**
- Використовуйте тільки зарядні пристрої DEWALT для заряджання акумуляторів.
- **НЕ занурюйте акумулятор у воду та інші рідини та не бризкайте на нього.**
- **Не зберігайте та не використовуйте інструмент та акумулятор у місцях, де температура може сягати або перевищувати 40 °C (104 °F) (наприклад, біля гаражів або металевих будівель влітку).**
- **Не спалюйте акумулятор, навіть якщо він сильно пошкоджений або повністю зношений.** Акумулятор може вибухнути у вогні. Коли літій-іонні акумулятори горять, утворюються токсичні випаровування та речовини.
- **Якщо вміст акумулятора потрапив на шкіру, негайно промийте це місце м'яким милом та водою.** Якщо рідина з акумулятора потрапила в очі, промийте відкрите око протягом 15 хвилин або доки подразнення не зникне. Якщо необхідно звернутися до лікаря, акумуляторний електроліт складається з суміші рідких органічних вуглекислих солей та солей літію.
- **Вміст відкритого акумулятора може спричинити подразнення дихальних шляхів.** Вийдіть на свіже повітря. Якщо симптоми не зникнуть, зверніться до лікаря.
-  **ПОПЕРЕДЖЕННЯ: Небезпека опіку.** Рідина з акумулятора може спалахнути, якщо на неї потрапить іскра або полум'я.
-  **ПОПЕРЕДЖЕННЯ: За жодних умов не намагайтесь відкрити акумулятор.** За будь-якого пошкодження акумулятора не встановлюйте його у зарядний пристрій. Не бийте, не кидайте та не пошкоджуйте акумулятор. Не використовуйте акумулятор та зарядний пристрій, якщо ті отримали різкий удар, впали або були пошкоджені іншим чином (наприклад, були проколоті цвяхом, вдарені молотком, на них наступили). Це може призвести до ураження електричним струмом. Пошкоджені акумулятори необхідно повернути до сервісного центру ля переробки.
-  **ПОПЕРЕДЖЕННЯ: Небезпека виникнення пожежі.** Зберігайте та переносьте акумулятор так, щоб металеві предмети не торкалися його відкритих контактів. Наприклад, не кладіть акумулятор у фартух, кишені, ящики з інструментами, коробки з наборами приладдя,

шухляди тощо, де можуть бути цвяхи, гвинти, ключі тощо.



УВАГА: Коли інструмент не використовується, залишайте його на стабільній поверхні в такому місці, де через нього не можна перепечитися та впасти. Деякі інструменти з великими акумуляторами можуть стояти на батареї, але їх можна легко перекинути.

Транспортування



ПОПЕРЕДЖЕННЯ: Небезпека виникнення пожежі. Під час перевезення акумуляторів може виникнути пожежа, якщо контакти акумулятора випадково вийдуть в контакт з електропровідним матеріалом. Під час перевезення акумуляторів переконайтесь, що їхні контакти захищені та добре ізольовані від матеріалів, які можуть увійти з ними в контакт та викликати коротке замикання.

ПРИМІТКА: При перевезенні літій-іонних акумуляторів не можна здавати їх в багаж.

Акумулятори DEWALT відповідають всім нормам перевезення, описаним у галузевих та законодавчих положеннях, включно з рекомендаціями ООН про перевезення небезпечних вантажів, правилами перевезення небезпечних вантажів Міжнародної організації повітряного транспорту (IATA), міжнародними правилами перевезення небезпечних вантажів водним транспортом (IMDG) та Європейській угоді про міжнародне дорожнє перевезення небезпечних вантажів (ADR). Літій-іонні елементи живлення та акумулятори були перевірені відповідно до розділу 38.3 керівництва з тестів та критеріїв щодо перевезення небезпечних вантажів Рекомендацій ООН.

У більшості випадків перевезення акумуляторів DEWALT може бути класифіковано як перевезення небезпечних речовин, що повністю підпадають під клас 9. Загалом тільки вантажі, що містять літій-іонні акумулятори ємністю більше за 100 ват-годин (Вт-год.), вимагають транспортування відповідно до норм перевезення небезпечних речовин, що повністю підпадають під Клас 9. На всі літій-іонні акумулятори нанесено значення ват-годин. Крім того, через складності законодавчих норм компанія DEWALT не рекомендує транспортування окремо літій-іонних акумуляторів повітряним транспортом, незалежно від показника ват-годин. Перевезення інструментів з акумуляторами (у комплекті) можна виконувати повітряним транспортом, якщо значення ват-годин не перевищує 100 Вт-год.

Незалежно від того, чи вантаж вважається виключеним або повністю регламентованим, вантажовідправник несе відповідальність за відповідність останнім нормам щодо вимог до упаковки, етикеток/маркування та документації. Інформація, що наводиться у цьому розділі керівництва, сумлінно перевірена та вважається дійсною на момент складання документації. Проте чинні нормативи можуть підлягати змінам. Покупець несе відповідальність за те, щоб його дії відповідали певним нормам.

Транспортування батареї FLEXVOLT™

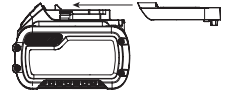
Батарея DEWALT FLEXVOLT™ має два режими: **використання та транспортування.**

Режим використання. при використанні батареї FLEXVOLT™ окремо або в продукті DEWALT 18В вона працює як батарея потужністю 18 В. Якщо батарею FLEXVOLT™ встановлено у пристрій потужністю 54 В або 108 В (дві батареї 54 В), вона буде працювати як батарея 54 В.

Режим транспортування. якщо на батарею FLEXVOLT™ встановлено кришку, вона знаходиться у режимі транспортування. Не знімайте цю кришку при транспортуванні.

У режимі транспортування послідовність електричних елементів акумулятора роз'єднана, що створює 3 акумулятори з меншим значенням Вт-год в порівнянні з 1 акумулятором із більшим значенням цього показника. Ці 3 акумулятори з нижчим значенням ват-годин можуть бути виключені з певних норм транспортування, що застосовуються для акумуляторів з більшим значенням ват-годин.

Наприклад, показник транспортування може бути 3 × 36 Вт-год, що означає 3 акумулятори по 36 Вт-год кожний. При цьому показник Вт-год в режимі використання може бути вказаний як 108 Вт-год (1 акумулятор).



Приклад маркування способів використання та транспортування

Use: 108 Wh
Transport: 3x36 Wh

Рекомендації щодо зберігання

1. Найкращим місцем для зберігання інструмента є прохолодне сухе місце, куди не потрапляють прямі сонячні промені та немає доступу тепла та холоду. Для оптимальної продуктивності та терміну служби батарей зберігайте їх за кімнатної температури, коли вони не використовуються.
2. При тривалому зберіганні для оптимального результату рекомендується помістити повністю заряджений акумулятор у сухе прохолодне місце поза зарядним пристроєм.

ПРИМІТКА: Не рекомендується зберігати акумулятор повністю розрядженим. Акумулятор потрібно перезарядити перед використанням.

Етикетки на зарядному пристрої та акумуляторі

Крім символів, що використовуються у цьому керівництві, етикетки на зарядному пристрої та акумуляторі можуть містити наведені нижче позначки.



Прочитайте інструкції цього керівництва перед використанням.



Див. розділ «Технічні дані» щодо часу зарядки.



Не торкайтеся електропровідними предметами.



Не заряджайте пошкоджені акумулятори.



Не піддавайте впливу води.



Негайно замінійте пошкоджений дрід живлення.



Заряджайте акумулятор за температури 4–40 °С.



Лише для використання в приміщенні.



Утилізуйте акумулятори з належною турботою про навколишнє середовище.



Заряджайте акумулятори DEWALT лише за допомогою спеціальних зарядних пристроїв DEWALT. Зарядка інших акумуляторних батарей, ніж призначені DEWALT, у зарядному пристрої DEWALT може призвести до їх вибуху або інших небезпечних ситуацій.



Не спалюйте акумулятори.



ВИКОРИСТАННЯ (без кришки для транспортування).
Приклад: Значення Вт-год становить 108 Вт-год (1 акумулятор потужністю 108 Вт-год).



ТРАНСПОРТУВАННЯ (зі встановленою кришкою для транспортування). Приклад: Значення Вт-год становить 3 × 36 Вт-год (3 акумулятори потужністю 36 Вт-год).

Тип батареї

Пристрій DCMST561 працює від акумулятора потужністю 18.

Для експлуатації придатні акумулятори наступних моделей:

DCB181, DCB182, DCB183, DCB183B, DCB184, DCB184B, DCB185, DCB187, DCB189, DCB546, DCB547, DCB548. Див.

додаткову інформацію у розділі «**Технічні дані**».

Комплект поставки

До комплекту входить:

- 1 Триммер
- 1 Акумулятор (DCB184-XJ)
- 1 Зарядний пристрій (DCB118-XJ)
- 1 Посібник з експлуатації

ПРИМІТКА. Акумулятори, зарядні пристрої та коробки для зберігання не входять до комплекту моделей N. Акумулятори та зарядні пристрої не входять до комплекту моделей NT. Моделі B включають акумулятори для приладів з підтримкою Bluetooth®.

ПРИМІТКА. текстовий знак та логотипи Bluetooth® є зареєстрованими товарними знаками, що належать компанії Bluetooth®, SIG, Inc. Будь-яке використання таких

знаків компанією DEWALT здійснюється згідно з ліцензією. Інші торгові марки й торгові назви належать відповідним власникам.

- *Перевірте інструмент, деталі та приладдя на пошкодження, що могли виникнути під час транспортування.*
- *Перед використанням уважно прочитайте та повністю зрозумійте це керівництво.*

Маркування на інструменті

На інструменті є наступні піктограми:



Прочитайте інструкції цього керівництва перед використанням.



Використовуйте засоби захисту очей.



Використовуйте засоби захисту слуху.



Не піддавайте інструмент впливу дощу та високої вологості, а також не залишайте його на вулиці під дощем.



Вимкніть інструмент. Перед виконанням будь-якого обслуговування необхідно витягнути батарею з інструменту.



Сторонні люди повинні знаходитись подалі від інструменту.



В Директиві 2000/14/ЕС вказана гарантована звукова потужність.



Розташування коду дати (Рис. А)

Код дати **18**, що включає також рік виробництва, зазначений на корпусі.

Приклад:

2019 XX XX

Рік виробництва

Опис (рис. А)



УВАГА: Ніколи не модифікуйте електричні інструменти або їх деталі. Це може призвести до пошкодження майна або тілесних ушкоджень.

- | | |
|--------------------------------|-------------------------------------|
| 1 Перемикач змінної швидкості | 8 Запор штанги |
| 2 Кнопка блокування | 9 Захисний кожух |
| 3 Перемикач контролю швидкості | 10 Корпус котушки |
| 4 Допоміжна ручка | 11 Корпус батареї |
| 5 Корпус мотору | 12 Акумулятор |
| 6 Фіксатор | 13 Кнопка розблокування акумулятора |
| 7 Замок штанги | 14 Ручка |
| | 15 Верхня штанга |

16 Нижня штанга

17 Затиск нижньої штанги

Сфера застосування

Цей тример розроблений для професійного підстригання газону. Цей виріб не є кромкопідрізувачем і не призначений для підрізання кромки газону.

НЕ використовуйте за умов підвищеної вологості або в присутності легкозаймистих рідин та газів.

НЕ дозволяйте дітям торкатися інструмента. Використання інструмента недосвідченими операторами потребує нагляду.

- **Діти та хворі люди.** Цей пристрій не призначений для використання дітьми та особами з обмеженими фізичними або розумовими можливостями без нагляду.
- Цей пристрій не призначений для використання особами (включаючи дітей) зі знизеними фізичними, сенсорними або розумовими можливостями або особами, яким бракує досвіду або знань, за винятком випадків, коли такі особи працюють під наглядом особи, яка несе відповідальність за їх безпеку. Не можна залишати дітей наодинці з цим приладом.

МОНТАЖ ТА НАЛАШТУВАННЯ



ПОПЕРЕДЖЕННЯ: Щоб знизити ризик серйозних тілесних ушкоджень, вимкніть інструмент та відключіть акумулятор перед виконанням будь-яких налаштувань або зніманням/встановленням додаткового обладнання або приладдя. Випадковий запуск може призвести до травм.



ПОПЕРЕДЖЕННЯ: Використовуйте тільки DEWALT акумулятори та зарядні пристрої.

Установка акумулятора в інструмент та його виймання (Рис. В)

ПРИМІТКА. Переконайтеся, що ваш акумулятор 12 повністю заряджений.

Для встановлення акумулятора у ручку інструмента

1. Вирівняйте акумулятор 12 по напрямних у ручці інструменту (Рис. В).
2. Вставте акумулятор у ручку до упору та переконайтеся, що ви почули звук клацання акумулятора, що став на місце.

Виймання акумулятора з інструмента

1. Натисніть кнопку розблокування 13 та витягніть акумулятор з ручки інструмента.
2. Вставте акумулятор у зарядний пристрій, як описано у розділі щодо зарядного пристрою цього керівництва.

Акумулятори з індикатором рівня заряду (Рис. В)

Деякі акумулятори DEWALT оснащені індикатором заряду з трьох зелених світлодіодів, що вказують рівень заряду акумулятора, що залишився.

Щоб увімкнути індикатор заряду, натисніть та утримуйте кнопку індикатора заряду 35. Три зелені світлодіоди будуть горіти відповідним чином, відображуючи рівень зарядки акумулятора. Коли рівень заряду акумулятора рівня зарядки відповідного ліміту, індикатор рівня заряду не горить, а акумулятор потрібно зарядити.

ПРИМІТКА: Індикатор рівня зарядки показує лише рівень зарядки, що залишився в акумуляторі. Він не показує функціональність інструмента, а його показники можуть змінюватись відповідно до комплекстності інструмента, температури та способу застосування.

Витягування й втягування штанги

(рис. А, С, Р)



УВАГА: Щоб знизити ризик отримання травми, не використовуйте пристрій в складеному стані. Перед установкою батареї пристрій необхідно повністю висунути і зафіксувати запором штанги. Перед втягуванням пристрою вийміть акумулятор. Повністю втягніть пристрій, поки він не стане на місце.

1. Щоб зафіксувати штангу в прямому робочому положенні, спочатку переконайтеся, що акумулятор вийнятий. Потім відкиньте фіксатор 6, поверніть замок штанги 7 вперед і надягніть запор штанги 8 на язичок запору 20. Поверніть замок штанги 7 назад, поки він не зафіксується в потрібному положенні. Перевірте фіксатор, щоб переконаватися, що він надійно зафіксований на місці.
2. Щоб втягнути штангу для зберігання або транспортування, спочатку переконайтеся, що акумулятор вийнятий. Потім відкиньте фіксатор 6, поверніть замок штанги 7 вперед і підійміть запор штанги 8 верх на язичок запору 20. Повністю втягніть штангу, поки захисний кожух 9 не зафіксується до упору на місці на задній частині корпусу батареї 11.

Встановлення допоміжної ручки

(рис. А, D)

1. Встановіть допоміжну ручку 4 на верхівку основи ручки 23 так, щоб верхня штанга тримера 15 опинилися між ними.
2. Утримуючи допоміжну ручку на місці, вставте болти ручки 24 в ручку зверху, загвинчуючи їх в основу ручки.
3. Затягніть болти ручки шестигранним ключем, що входить в комплект поставки. Переконайтеся, що ручка надійно закріплена.

Кріплення захисного кожуха (рис. Е, F)



УВАГА! Ніколи не знімайте захисний кожух. Це може призвести до пошкодження майна або тілесних ушкоджень.



УВАГА! У ЖОДНОМУ РАЗІ НЕ ВИКОРИСТОВУЙТЕ пристрій БЕЗ ЗАХИСНОГО КОЖУХА. Захисний кожух повинен завжди кріпитися на пристрої належним чином для захисту користувача.

1. Закріпіть захисний кожух **9** на корпусі мотору **5**.
2. За допомогою хрестоподібної викрутки вставте чотири гвинти захисного кожуха **21** і надійно затягніть їх.

РЕЖИМ РОБОТИ

Інструкції з використання



ПОПЕРЕДЖЕННЯ: Завжди дотримуйтесь усіх інструкцій з техніки безпеки та відповідних норм.



ПОПЕРЕДЖЕННЯ: Щоб знизити ризик серйозних тілесних ушкоджень, вимкніть інструмент та відключіть акумулятор перед виконанням будь-яких налаштувань або зніманням/встановленням додаткового обладнання або приладдя. Випадковий запуск може призвести до травм.

Належне положення рук (Рис. G)



ПОПЕРЕДЖЕННЯ: Щоб знизити ризик серйозних травм, **ЗАВЖДИ** правильно розташуйте руки, як показано.



ПОПЕРЕДЖЕННЯ: Щоб знизити ризик серйозних травм, **ЗАВЖДИ** надійно тримайте інструмент, щоб попередити випадкову видачу.

При правильному положенні рук необхідно одну руку тримати на основній ручці **14**, а іншу – на допоміжній ручці **4**.

Увімкнення/вимкнення тримера (рис. A)

Щоб увімкнути пристрій, натисніть кнопку блокування **2** та потім перемикач змінної швидкості **1**. Щоб вимкнути пристрій, відпустіть перемикач змінної швидкості та кнопку блокування.



УВАГА: У жодному разі не намагайтесь заблокувати перемикач у увімкненому положенні.

Перемикач контролю швидкості (рис. A)

Ви можете використовувати тример з більш ефективною швидкістю, щоб вистачило часу роботи для більших ділянок, або збільшити швидкість тримера для швидшого підрізання.

Щоб подовжити час роботи, змістіть перемикач контролю швидкості **3** вперед до допоміжної ручки **4** у положення «LO». Цей режим краще підходить для більших ділянок, що вимагають більше часу для підрізання газону.

Щоб збільшити швидкість тримера, змістіть перемикач контролю швидкості назад до корпусу акумулятору **11** у положення «H». Цей режим краще підходить для обрізання більш високої трави та при необхідності вищого значення обертів/хвилину.

ПРИМІТКА. При роботі у режимі «H» час роботи пристрою буде скорочено у порівнянні з часом роботи у режимі «LO».

Підрізання (рис. H, I)

Зберігайте мінімальну відстань 610 мм між захисним кожухом та вашими ногами, як показано на рис. H.

Увімкніть тример, нахиліть його та рухайте зі сторони в сторону, як показано на рис. I.



УВАГА: Утримуйте ріжучу волосін, що рухається, майже паралельно до землі (пристрій нахиляйте не більше ніж на 30 градусів). Цей тример не призначений для підрізання кромки газону. **НЕ НАХИЛЯЙТЕ** тример, щоб ріжуча волосін оберталася майже під прямим кутом до землі. Сміття, що розлітається, може спричинити серйозні травми.

Ударна подача ріжучої волосіні тримера

У тримері використовується нейлонова волосін діаметром 2,0 мм. Ріжуча волосін зноситься швидше та буде вимагати частішої заміни, якщо скошувати траву біля тротуару або іншої абразивної поверхні, або якщо скошувати твердшу траву.

При використанні тримера волосін буде ставати коротшою через знос. Злегка вдарте тримером по землі під час роботи зі звичайною швидкістю, після чого волосін буде подана.

ПРИМІТКА. Подача більше 350 мм нейлонової волосіні може негативно вплинути на продуктивність, час роботи та термін придатності тримера через потенційний негативний вплив на мотор. Це може анулювати гарантію.

Рекомендації з підрізання газону

- Використовуйте кінчик волосіні для підрізання; не вставляйте всю голівку з волосінню у непідрізану траву.
- Дротяні огорожі та паркани можуть спричинити надмірний знос леза, навіть її розрив. Кам'яні та цегляні стіни, бордюри та дерево можуть спричинити швидший знос волосіні.
- Не тягніть кришку котушки по землі та іншим поверхням.
- При зрізанні високої трави починайте зрізати зверху не більше 300 мм за один прохід.
- Утримуйте тример нахиленим до ділянки, яка підрізується; це найкраще місце для підрізання.
- Тример зрізує траву при його переміщенні зліва направо. Це дозволить уникнути потрапляння сміття в оператора.
- Уникайте дерев та кущів. Волосінню можна легко пошкодити кору дерев, дерев'яні огорожі, облицювальні матеріали та забори.

ТЕХНІЧНЕ ОБСЛУГОВУВАННЯ

Ваш інструмент виробництва компанії DEWALT призначений для роботи протягом довгого часу з мінімальним обслуговуванням. Довга задовільна робота приладу залежить від належного обслуговування приладу та регулярного його очищення.



УВАГА: щоб знизити ризик серйозних травм, вимкніть пристрій та відключіть акумулятор перед виконанням будь-яких налаштувань або зніманням/встановленням насадок або аксесуарів. Випадковий запуск може призвести до травм.

Зарядний пристрій та акумулятор не підлягають обслуговуванню

Технічне обслуговування (рис. J)

- Підтримуйте чистоту отворів для впуску повітря **30**, щоб уникнути перегріву (рис. J).
- Волосінь тримера може засохнути з часом. Щоб підтримувати волосінь у гарному стані, зберігайте заміну волосінь у пластиковому закритому мішечку та налейте туди столову ложку води.
- Пластикові деталі можна очищувати м'яким мильним розчином та вологою ганчіркою.
- Підрізний ніж волосіні на краю захисного кожуху може притупитися з часом. Рекомендується періодично заточувати його напилком. Підрізний ніж волосіні на краю захисного кожуху може з часом притупитися. Рекомендується періодично заточувати його напилком.



Змащування

Ваш електричний інструмент не вимагає додаткового змащування.



Очищення



ПОПЕРЕДЖЕННЯ: Коли пил та бруд стають помітними та починають накопичуватися біля вентиляційних отворів, видавайте бруд та пил зсередини основного корпусу за допомогою сухого повітря. Використовуйте рекомендовані засоби захисту органів зору та рекомендовану протипилову маску при виконанні цієї операції.



ПОПЕРЕДЖЕННЯ: Ніколи не використовуйте розчинники та інші агресивні хімічні засоби для очищення металевих деталей інструмента. Такі хімічні речовини можуть нанести шкоду матеріалам, що використовуються в цих деталях. Використовуйте вологу ганчірку, змочену лише водою з м'яким милом. Не дозволяйте рідині потрапляти всередину інструмента та ніколи не занурюйте деталі інструмента в рідину.

Додаткові аксесуари



ПОПЕРЕДЖЕННЯ: Оскільки інше приладдя, що не зазначене виробником DEWALT, не перевірялося з цим пристроєм, його використання з інструментом може бути небезпечним. Необхідно використовувати лише рекомендовані DEWALT приладдя з цим пристроєм, щоб знизити ризик отримання травм.

Зверніться до свого дилера для отримання подальшої інформації щодо відповідного приладдя.



УВАГА! Щоб знизити ризик серйозних травм, вимкніть пристрій та відключіть акумулятор перед виконанням будь-яких налаштувань

або зніманням/встановленням насадок або аксесуарів.



УВАГА! Використання будь-яких насадок, не рекомендованих DEWALT для використання з цим пристроєм, є небезпечним.



УВАГА! Не використовуйте з цим тримером леза, аксесуари та насадки, не рекомендовані компанією DEWALT. Це може призвести до серйозної травми або пошкодження продукту.

Для заміни використовуйте волосінь DEWALT моделі DWO1DT801 або DWO1DT802.

При заміні волосіні рекомендується встановлювати волосінь діаметром лише 2,0 мм (рекомендуються моделі № DT20650 і DT20651). Волосіні інших розмірів можуть погіршити продуктивність або пошкодити тример.

Заміна ріжучої волосіні (рис. K–M)



УВАГА! Щоб знизити ризик серйозних травм, вимкніть пристрій та вийміть акумулятор перед виконанням будь-яких налаштувань або зніманням/встановленням додаткового обладнання чи приладдя під час заміни волосіні або перед очищенням. Випадковий запуск може призвести до травм.



ОБЕРЕЖНО! Використовуйте лише змінні катушки і волосінь DEWALT. Використання волосіні будь-якого іншого виробника може знизити продуктивність, пошкодити тример або привести до травм. У вашому тримері використовується волосінь діаметром 2,0 мм спіралевидної форми з гладкими круглими кінцями. Не використовуйте волосінь інших розмірів. Це може погіршити експлуатаційні характеристики, привести до порушень нормальної роботи або травм.



ОБЕРЕЖНО! Щоб уникнути пошкодження пристрою, якщо ріжуча волосінь виступає за лезо, обріжте її так, щоб вона тільки доходила до нього.

Використовуйте лише змінну волосінь DEWALT.

1. Витягніть акумулятор.
2. Відріжте максимум 6 мм волосіні тримера 2,0 мм.
3. Зіставте вушка корпусу катушки **26** зі стрілкою **27** на кришці катушки **29**, як показано на рис. K.
4. Простягніть один кінець волосіні тримера через вушко. Проведіть волосінь через друге вушко і продовжуйте її протягувати до появи струни однакової довжини з кожного боку корпусу катушки, як показано на рис. L.
5. Однією рукою закріпіть кришку катушки від руху. Другою рукою намотайте струну на катушку, обертаючи кришку катушки проти годинникової стрілки. Продовжуйте намотувати до тих пір, поки з кожного боку корпусу катушки не залишиться по 130 мм.

Заміна котушки в зборі (рис. А, N)

1. Повертайте корпус котушки **10** до вирівнювання отвору **31** в шпindelній пластині з виімкою **32** в корпусі двигуна. Вставте викрутку через виімку в отвір, щоб запобігти обертанню шпindelя.
2. Відкрутіть і зніміть корпус котушки, повернувши кришку ручки котушки **29** за годинниковою стрілкою.
ПРИМІТКА. Не намагайтеся зняти корпус котушки, повертаючи його **10**.
3. Перед установкою нової котушки зніміть шпindelну пластину **34**. Видаліть бруд і траву з корпусу двигуна і шпindelної пластини.
4. Встановіть шпindelну пластину **34** на шпindel **33**, щоб подвійна D-образна стопорна гайка на шпindelі знаходилась всередині основи шпindelної пластини.
5. Зіставте отвір в шпindelній пластині і виімку, вставте викрутку назад в отвір і затягніть новий корпус котушки проти годинникової стрілки. Надійно затягніть новий корпус котушки на шпindelі **33**.



Виробник:
"Stanley Black & Decker Deutschland GmbH" Black-&-Decker Str.40, D-65510 Idstein, Німеччина

Заміна захисного кожуха (рис. O)



УВАГА! У жодному разі не використовуйте пристрій без захисного кожуха.

1. Викрутіть чотири гвинти захисного кожуха **21**.
2. Закріпіть новий захисний кожух, як описано у розділі **Кріплення захисного кожуха**.

Складання для зберігання або транспортування (рис. P)

Тример можна складати для зберігання або транспортування. Щоб встановити тример у складене положення, див. розділ **Витягування й втягування штанги**.

Захист навколишнього середовища



Роздільний збір. Пристрої і акумулятори позначені цим символом, не можна викидати зі звичайним побутовим сміттям.

Пристрої і акумулятори містять матеріали, які можна відновити та переробити, що зменшить потребу у сировині. Утилізуйте електротехнічну продукцію і акумулятори відповідно до місцевих положень.

Більш детальну інформацію можна отримати на сайті

www.2helpU.com.

Придатність акумулятора для перезарядки

Дана модель акумулятора підлягає перезарядці у випадку зниження його потужності при виконанні завдань, що попередньо не вимагали особливих зусиль. Наприкінці терміну служби акумулятора утилізуйте його у спосіб, безпечний для навколишнього середовища.

- Повністю розрядіть акумулятор, потім витягніть його з інструменту.

